

# OVAL 3 STONES EcoDesign

# PANADERO

## MEASURES

DIMENSIONS H x W x D	1048x605x490mm
GROSS/NET WEIGHT	197/187 kg
FIREWOOD ENTRANCE	355x440 mm
SMOKE FLUE	Ø 150-153 mm Vertical
EXTERNAL AIR INTAKE	Ø 80 mm

## CHARACTERISTICS

CAST IRON GRILL	
NOMINAL HEAT OUTPUT	8,7 KW
EFFICIENCY	80,7 %
CO EMISSIONS	0,10 %
HEAT RESISTANT PAINT	800°C
CERAMIC GLASS HEAT RESISTANCE	750°C

EAN 8426964183153

REF. PANADERO 18315

## PRODUCT PLUS

### ECODESIG



**EXTERNAL AIR INTAKE**



VERMICULITE LINING



TRIPLE STEEL BODY SHEET  
4 + 3 + 2,5 MM



WOOD LOG STORAGE



WOOD LOGS UP TO 50 CM



HEATING VOLUME



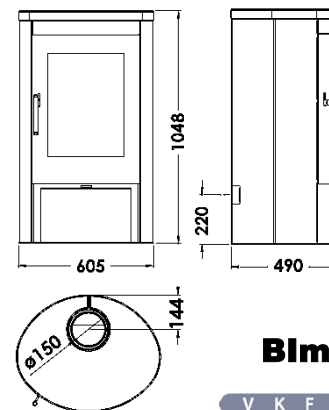
CLEAN GLASS SYSTEM



TRIPLE COMBUSTION



NATURAL STONE



OVAL 3S EN

**BlmSchV2**

V K F A E A I



flamme  
VERTE

Le label  
du chauffage  
au bois

7 ★