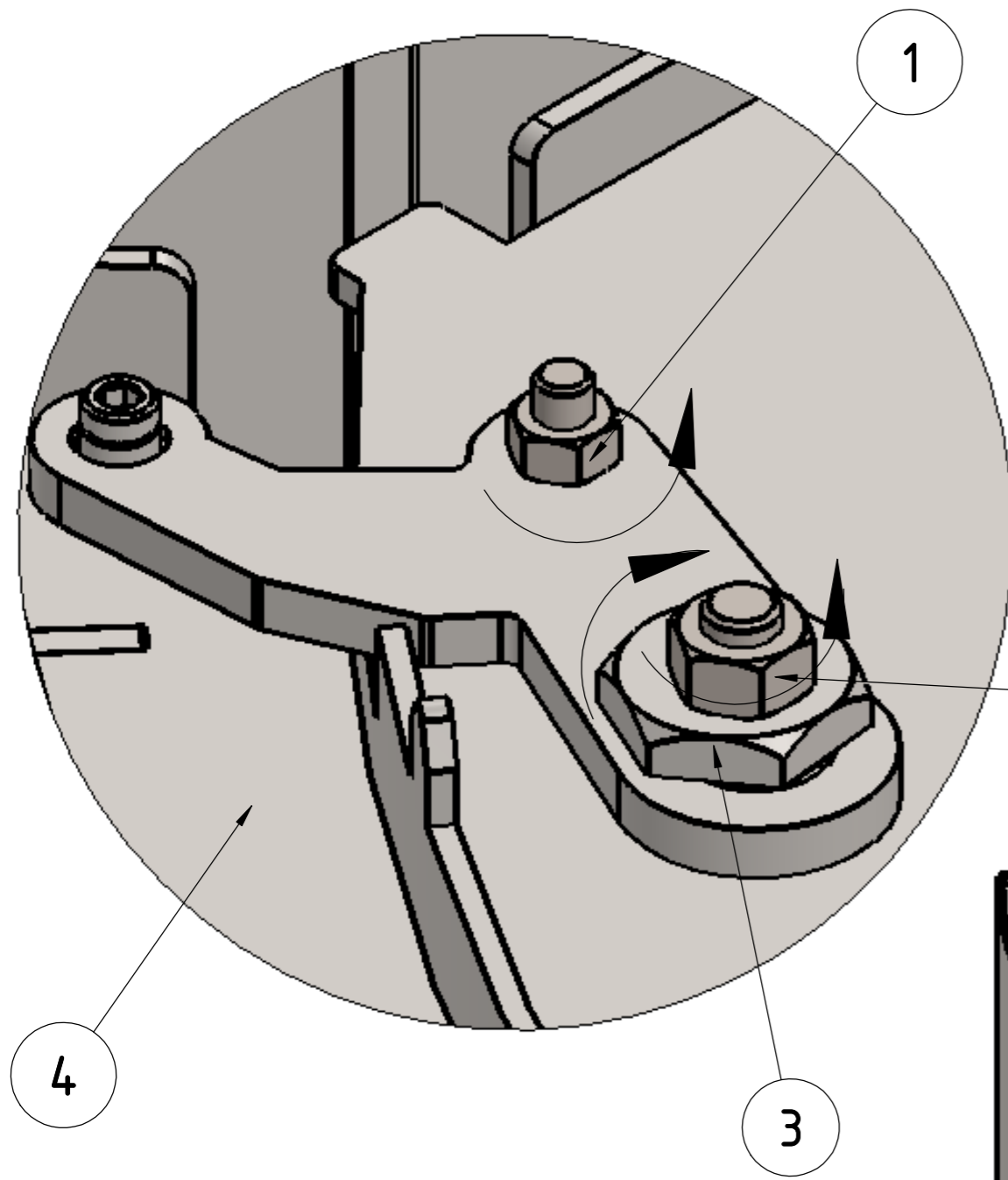


DETAIL B
SCALE 1.5 : 1



DETAIL A
SCALE 1.5 : 1

