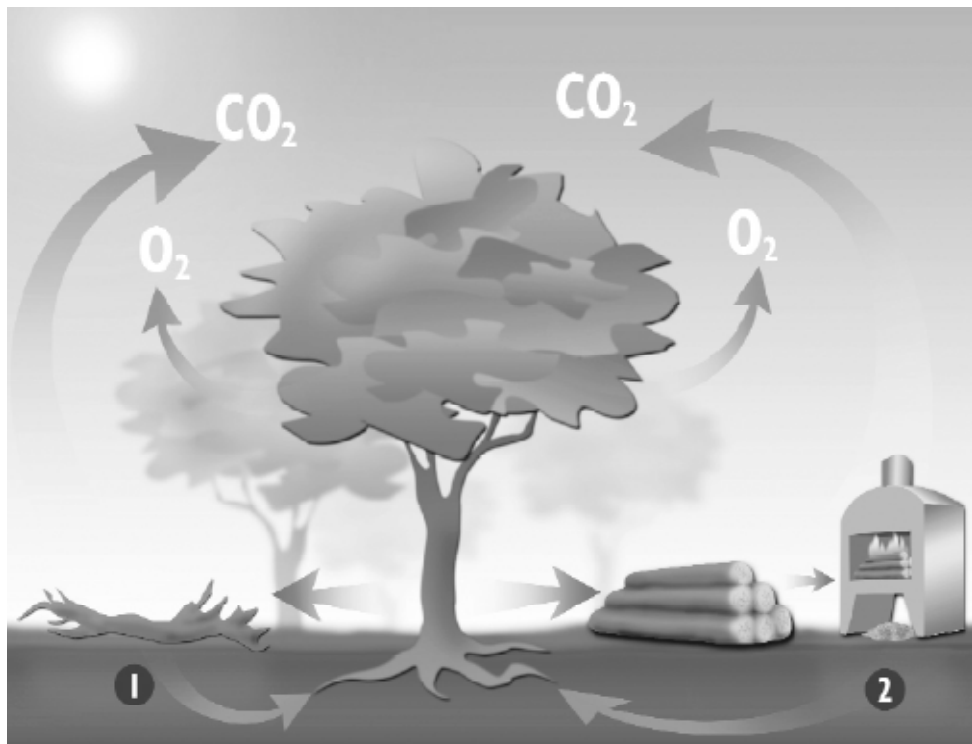


HIJO DE MIGUEL  
**PANADERO**  
Mod.  
**HOGAR C-820-S**

INSERT  
INSERT  
CASSETTES  
INSERT  
INSERTO



USAGE AND MAINTENANCE INSTRUCTIONS .....	p. 4
INSTRUCTIONS D'UTILISATION ET D'ENTRETIEN .....	p. 9
INSTRUCCIONES DE UTILIZACIÓN Y DE MANTENIMIENTO .....	p. 14
GEBRUIKS- EN ONDERHOUDSAANWIJZINGEN .....	p. 19
ISTRUZIONI D'USO E MANUTENZIONE .....	p. 24
INSTALLATION .....	p. 30



**1** Nutrients/Éléments nutritifs/ Nutrientes/Voedingsstoffen

**2** Ashes - Fertilizer / Cendres – Engrais / Cenizas – Abono / Assen - Kunstmest

### Wood: an ecological fuel

Wood is a renewable source of energy which answers the energy and environmental demands of the 21st century.

Throughout its long life, a tree grows from sunlight, water, mineral salts and CO<sub>2</sub>. Following the general pattern of nature, it soaks up energy from the sun and supplies us with the oxygen essential for animal life.

The quantity of CO<sub>2</sub> given off during the combustion of wood is no greater than that given off by its natural decomposition. This means we have a source of energy that respects the natural cycle of millions of years. Burning wood does not increase the CO<sub>2</sub> in the atmosphere, making it an ecological source of energy which plays no part in the greenhouse effect.

In our wood-burning stoves logs are burnt cleanly without leaving any residue. Wood ash is a high quality fertilizer, rich in mineral salts.

In buying a wood-burning stove, you will help the environment, your heating will be very economical and you will be able to enjoy watching the flames, something no other form of heating can offer.

### Le bois: une énergie écologique

Le bois est une énergie renouvelable qui répond aux défis énergétiques et environnementaux du 21<sup>ème</sup> siècle.

Tout au long de sa vie, un arbre pousse grâce à la lumière du soleil, l'eau, les sels minéraux et le CO<sub>2</sub>. Il accumule de manière naturelle l'énergie solaire et nous offre l'oxygène indispensable à la vie.

La quantité de CO<sub>2</sub> qui se dégage pendant la combustion du bois n'est pas supérieure à celle qui serait émise lors de sa décomposition naturelle. Nous sommes donc devant un type d'énergie qui respecte le cycle naturel de millions d'années. La combustion du bois n'augmente pas le CO<sub>2</sub> dans l'environnement, c'est une énergie écologique qui ne participe pas à l'effet de serre.

Avec nos poêles, le bois se brûle proprement et ne laisse aucun résidu. La cendre du bois représente un engrais de haute qualité, riche en sels minéraux.

En achetant un poêle à bois, vous aidez l'environnement, vous aurez un chauffage économique et vous pourrez apprécier ce spectacle des flammes qu'aucun autre type de chauffage peut offrir.

## La leña: una energía ecológica

La leña es una energía renovable que responde a los retos energéticos y medioambientales del siglo XXI.

A lo largo de su vida, un árbol crece gracias a la luz solar, el agua, las sales minerales y el CO<sub>2</sub>. Acumula de forma natural la energía del sol y nos da el oxígeno indispensable para la vida.

La cantidad de CO<sub>2</sub> que se desprende durante la combustión de la leña no es superior a la que se emitiría por su descomposición natural. Por lo tanto estamos ante un tipo de energía que respeta el ciclo natural de millones de años. La combustión de la leña no aumenta el CO<sub>2</sub> en el medioambiente, por lo que es una energía ecológica que no participa del efecto invernadero.

En nuestras estufas, la leña se quema limpiamente y no deja residuos. La ceniza de leña es un abono de alta calidad, rico en sales minerales. Al comprar una estufa de leña, usted está ayudando al medioambiente, tendrá una calefacción económica, y disfrutará de ese espectáculo de las llamas que ningún otro tipo de calefacción puede ofrecer.

## Il legno: un'energia ecologica

Il legno è una fonte d'energia rinnovabile che offre una soluzione alle sfide energetiche e ambientali del XXI secolo.

Un albero cresce grazie alla luce del sole, all'acqua, ai sali minerali e alla CO<sub>2</sub>. Accumula in modo naturale l'energia del sole e ci fornisce l'ossigeno indispensabile alla vita.

La quantità di CO<sub>2</sub> che si produce durante la combustione del legno non è superiore a quella che libererebbe per scomposizione naturale. Pertanto ci troviamo in presenza di un tipo di energia che rispetta il ciclo naturale di milioni di anni. La combustione del legno non aumenta il livello di CO<sub>2</sub> presente nell'ambiente, quindi si tratta di una fonte d'energia ecologica che non contribuisce all'effetto serra.

Nelle nostre stufe, la legna brucia in modo pulito e non lascia residui. La cenere del legno è un fertilizzante d'elevata qualità, ricco di sali minerali. Quando compra una stufa a legna, dà una mano all'ambiente, ottiene un riscaldamento economico, e può godere dello spettacolo delle fiamme che nessun altro tipo di riscaldamento le può offrire.

## Brandhout: milieuvriendelijke energie

Brandhout is een vervangbare energie die voldoet aan de energie- en milieu-eisen van de 21<sup>ste</sup> eeuw.

In de loop van zijn leven groeit een boom dankzij zonlicht, water, mineraalzouten en CO<sub>2</sub>. Hij verzamelt op natuurlijke wijze de zonne-energie en geeft ons de zuurstof die nodig is om te leven.

De hoeveelheid CO<sub>2</sub> die tijdens het stoken van hout wordt uitgestoten is niet groter dan die vrijkomt door natuurlijke ontbinding. Daarom hebben we te maken met een energiesoort die de natuurlijke cyclus van miljoenen jaren respecteert. De verbranding van hout verhoogt de CO<sub>2</sub>-emissie in het milieu niet, waardoor het een milieuvriendelijke energie is die niet bijdraagt aan het broeikas-effect.

In onze kachels wordt het brandhout schoon en zonder afvalstoffen gestookt. Houtas is mest van hoge kwaliteit en rijk aan mineraalzouten. Door een houtkachel te kopen helpt u het milieu, heeft u een goedkope verwarming en geniet u van de gezellige vlammen die geen andere verwarming u kan bieden.

## USAGE AND MAINTENANCE INSTRUCTIONS

You have purchased a PANADERO product. Apart from correct maintenance, our woodstoves require an installation strictly in accordance with present legislation. Our products comply to the EN 13229 European norm, however it is very important for you to know how to correctly use your woodstove following the recommendations we set out. **For this reason, before installing our product you must read this manual carefully and follow the usage and maintenance instructions.**

The insert transmits warmth twofold: first by radiation warmth through the big surface of the vitroc ceramic glass and second by convection warmth. The convection warmth is generated by recuperating the warmth generated on the outer walls of the combustion chamber and by ways of leaving a small area around the fireplace warm air streams are created which exit the insert through a grill at the front.

### INSTALLATION

You have purchased a wood burning stove with a vermiculite insulated combustion chamber. Do not remove the vermiculite boards!!!!

**IMPORTANT:** The installation of this insert has to be done by a qualified professional. All local regulations, including those referring to National and European standards, need to be complied with when installing the insert.

### SMOKE PIPE

- The insert may not be installed into a chimney system shared with other appliances.
- Install the tube connections carefully, the connections should be sealed with a refractory putty to prevent soot from falling through the joints, until you reach the exterior exit. Connect the first pipe of the smoke outlet to the insert with a minimum 40 mm overlap.
- The installation of the smoke outlet must be as vertical as possible, avoiding the use of joints, angles and deviations that could cause a malfunction of the insert.
- If the installation is connected to a masonry chimney pipe we recommend that its internal size should not be too big because this would cause the smoke to get too cold which produces the smoke to return into the fireplace. In case the chimney pipe is too big it's recommended that the pipes should reach the exterior exit.
- In the smoke outlet is via tubing only, at least three meters of vertical tubing are recommended.
- It is recommended to put a hat on the last tube in case it reaches the exterior of your home.

### PLACEMENT

- The insert has to be installed at a site that supports its heavy weight and everything surrounding it must be of noncombustible material and/or be well insulated.
- You must foresee accessibility for the cleaning of the insert, flue and chimney.
- While the insert is functioning keep anything away from it that could be damaged by heat like furniture, draperies, paper, clothing,... You should keep a minimum safety distance of 60cm.
- This insert must be installed in a well ventilated area. We recommend you have at least one window that can be opened in the room where the insert will be installed.

## INSTALLATION

- The lower part of the insert needs to have a direct air entrance, from the inside or outside, with a size of at least 200 cm<sup>2</sup>
- It is recommended to install a vent in the area between the roof and the top of the fire-place, isolating all areas close (to improve the sealing), in order to exploit the heat of convection. To do so leave a minimum spacing of 50 mm around the fireplace to create the convection chamber.
- Before installing the insert it s recommended to take out all its loose interior parts to avoid breakage, and once placed at its final site reinstall all the interior parts.
- Once positioned, perform a functional test before final embedment. It s recommended to embed the fireplace from the bottom upwards.
- The masonry must not touch the upper part of the fireplace, allow a minimum of 5mm. space to prevent the the creation of fissures in the upper wall due to expansion of the metal.

## FUEL

- Use only dry wood with a maximum moisture content of 20%. Wood with a moisture content higher than 50 or 60% does not heat and combusts very badly, and creates a lot of tar, releases excessive amounts of vapour and deposits excess sediments onto the device, glass and smoke outlet.
- The fire should be lit using special fire lighters, or paper and small pieces of wood. Never try to light the fire using alcohol or similar products.
- Do not burn domestic rubbish, plastic materials or greasy products that can pollute the environment and lead to risks of fire due to obstruction of the pipes.

## FUNCTION

- **It is normal for smoke to appear during the first few uses of the insert, as certain components of the heat-resistant paint burn whilst the pigment of the actual device is fixed. Therefore the room should be aired until the smoke disappears.**
- The device is not designed to function with the door open under any circumstances.
- The device is intended to function intermittently with intervals for recharging the fuel.
- For the lighting process of the device it is recommended you use paper, fire lighters or small sticks of wood. Once the fire starts to burn, add two logs of wood each weighing 1 to 1'3 Kg. as a first initial charge. In this lighting process the air inlets of the device must be kept completely open. Once the fire is more intense, close the door completely (if open) and regulate the intensity of the fire by closing and opening the air inlets.
- In order to achieve the stated nominal heat output of this device a total quantity of 1.7Kg. of wood (roughly two logs weighing 1 Kg. each) must be placed inside at intervals of one hour. In any instance a charge of fuel must not be added to the device until the previous charge has been burnt, leaving only a basic fire bed which is enough to light the next charge but no stronger.
- It is normal for the seal of the glass door panel to melt with use. Even though the device can function without this seal, it is recommended that you replace it seasonally.
- **When adding insert or when taking out the ash pan, some of the ashes may fall on the exterior of the stove. Please turn the switch to 0 or I before opening the door, as to avoid**

**the fan from taking in the ashes and blowing them through the stove. Once the door is closed, you can turn the switch to any position you want.**

- The lower drawer can be removed in order to clear out ash. Empty it regularly without waiting for it to fill up too much, to avoid the grill becoming damaged. Take care with the ash which may still be hot up to 24 hours after the device has been used.
- Do not open the door abruptly in order to avoid smoke being released, and never open it without opening the air draught beforehand. Open the door only in order to put in the appropriate fuel.
- The glass, handles and cassette in general may reach very high temperatures. Do not expose yourself to risks of burns. When handling metal pieces, use the glove provided with the stove.
- Keep children away from the device.
- If you have trouble lighting the device (due to cold weather, etc.) it can be lit with folded or scrunched up paper which is easier to light.
- In case of the fireplace becoming too hot, close the air draughts to reduce the intensity of the fire.
- In case the device does not work properly, close the air inlets and contact the manufacturer.

## MAINTENANCE

- It is advisable to clean the glass door panel periodically to avoid blackening by soot deposits. Professional cleaning products are available for this. Never use water.
- Never clean the device while it is in use.
- It is also important to clean the smoke outlet tubing periodically and check there are no blockages before relighting fuel after a long period of non-use. At the start of each season a professional should carry out a revision of the installation.
- At the start of every season a professional should clean your installation.
- In the event of a fire in the smoke outlet, close all air draughts if possible and contact the authorities immediately.
- Any replacement part which you may need must be recommended by us.
- The fiberglass cord used for the pints may degrade over time. If this happens, you will have to replace it with a new fiberglass tape.

## GUARANTEE

This is a high quality fireplace, manufactured with great care. Even so, if any defect is found please first contact your distributor. If they are unable to solve the problem they will contact us and send us the device if necessary. Our company will replace any faulty parts free of charge up to five years from the date of purchase. We will not charge for repair work, however any transport costs have to be paid by the client.

Since this apparatus has been tested by a homologated laboratory the following parts are NOT covered by warranty:

- Glass
- Vermiculite
- Internal grate
- Door handle, air-inlet knobs, etc.

**In the interior of the packaging, you will find a quality control slip. We request that you send this to your distributor in case of any claim.**

Since this device has been tested in a homologated laboratory and since we check our devices a full 100%, making sure that the electric wiring operates correctly before shipping, the fan and the electric wiring are not covered by our warranty.

## PROPERTIES OF THE FAN

This model is equipped with a tangential fan (170 m<sup>3</sup>/h). It takes the air in the lower part to circulate in the woodstove and share it out from the top part.

The fan has a thermostat to regulate the temperature. It starts to 50°C to prevent overheating


The woodstove has an electric switch with three positions to regulate the hot air flow rate.

- In position 0, the fan is off but if the temperature reach 50°C, the thermostat let the fan starting, on the position I
- In position I, the fan reach 60% of the maximum speed.
- In position II, the fan reach the maximum speed.

**IMPORTANT: The fan must be ALWAYS connected to the network to prevent overheat to deterioration**

## MEASUREMENTS AND CHARACTERISTICS

- Height.....	629 mm	- Nominal heat output.....	7 kW
- Width.....	770 mm	- Energy efficiency.....	80.8 %
- Depth.....	548 mm	- CO emission.....	0.09 %
- Weight.....	96 Kg	- Minimum flue draught for nominal heat output.....	12.2 Pa
- Firewood entrance.....	600 x 300 mm	- Flue gas mass flow.....	5.81 g/s
- Smoke outlet.....	150 mm	- Flue gas temperature.....	264 °C
- Iron sheet body of 3+1.5 mm.		- Heating volume (aprox.).....	250 m <sup>3</sup>
- Cast iron grill			
- Paint, resistant up to 800 °C			
- Vitro-ceramic glass, 750 °C			
- Firewood up to 60 cm long			

 EN 13229: 2001 & A2: 2004	<b>PANADERO</b> P.I. CAMPOLLANO AVENIDA 5º, 13-15 02007 ALBACETE - SPAIN
	CASSETTE "C-820-S".....17 FREESTANDING ROOMHEATER FIRED BY SOLID FUEL CERTIFICATE Nº TD 4637; TD 4637P DECLARATION OF PERFORMANCE.....19085 NOTIFIED BODY.....1677
Thermal output..... 7 kW Energy efficiency..... 80.8 % Emission of CO in combustion products 0.09 % Flue gas temperature..... 264°C Dust concentration at 13% O2..... 29.7 mg/Nm <sup>3</sup> Fuel types                      Firewood and briquetted wood	



## INSTRUCTIONS D'UTILISATION ET D'ENTRETIEN

Vous venez d'acquérir un produit de la marque PANADERO, nos foyers non seulement requièrent un entretien adéquat mais également une installation conforme à la législation en vigueur. Nos produits sont conformes à la norme européenne EN 13229 mais il est très important que le consommateur sache utiliser correctement son foyer selon les conseils que nous vous indiquons. **Pour cette raison, avant d'installer notre produit vous devrez lire rigoureusement ce manuel et suivre nos instructions d'utilisation et d'entretien.**

Il y a deux formes de transmission de la chaleur avec le foyer: d'une part, à travers la grande superficie de la vitre vitrocéramique nous pouvons profiter de la chaleur de radiation, et d'autre part, il y a la chaleur générée par les côtés du foyer que nous pouvons récupérer grâce à une installation optimale, en laissant un espace autour du foyer et en créant ainsi des courants d'air, profitant ainsi de la chaleur de convection.

### INSTALLATION

- Vous avez acheté un poêle à bois dont la chambre à combustion est revêtue de vermiculite. Ne pas enlever ces pièces en vermiculite.
- Attention: l'installation de ce foyer doit être effectuée par un professionnel qualifié. Toutes les réglementations locales, y compris celles faisant référence aux normes nationales ou européennes, doivent être respectées lors de l'installation du foyer.

### Conduit de Fumée

- Le foyer ne doit pas être installé dans un système de cheminée partagé avec d'autres appareils.
- Installer plusieurs tuyaux bien connectés, scellés avec de la pâte réfractaire afin d'éviter que de la suie ne coule, jusqu'à l'extérieur et connecter le premier tuyau à la sortie de fumée du foyer avec un emboîtement de minimum 40mm.
- L'installation doit être la plus verticale possible, en évitant l'utilisation de coudes ou déviations qui pourraient causer un mauvais fonctionnement du foyer.
- Si l'installation se raccorde à un conduit de cheminée de maçonnerie, les mesures intérieures de celui-ci ne doivent pas être trop grandes car cela refroidirait trop la fumée et il pourrait y avoir des refoulements. Dans le cas où ce conduit serait trop large, il est conseillé que les tuyaux arrivent jusqu'à la sortie extérieure.
- Dans le cas où l'installation soit seulement munie de tubes, il faudra au moins 3 mètres linéaires.
- Il est vivement recommandé d'installer un chapeau sur le dernier tuyau.

### Installation

- L'appareil doit être installé sur un sol ayant une capacité de portée adéquate et tout ce qui l'entoure doit être composé de matériel non inflammable et/ou bien isolé.
- Il est important de prévoir le facile accès pour le nettoyage de l'appareil, du conduit de fumée et de la cheminée.
- Pendant le fonctionnement, éloignez du foyer, toute matière pouvant être altérée par la chaleur: meubles, rideaux, papiers, vêtements, etc. La distance de sécurité minimum à respecter est de 60 cm.
- Le foyer doit être installé dans une pièce aérée et bien ventilée. Il est conseillé d'avoir au moins une fenêtre qui puisse s'ouvrir, dans la même pièce où sera installée le foyer.

## MONTAGE

- La partie inférieure du foyer doit avoir une entrée directe d'air, d'au moins 200 cm<sup>2</sup> .
- Il est recommandé d'installer une grille de ventilation dans la zone située entre le toit et la partie supérieure du foyer, isolant ainsi toutes les zones proches (pour améliorer l'étanchéité), afin de profiter de la chaleur de convection. Pour cela, laissez un espace d'au moins 50 mm autour de l'appareil pour créer la chambre de convection.
- Avant d'installer le foyer il est conseillé d'enlever toutes les pièces détachées de son intérieur afin d'éviter qu'elles ne se cassent, et ensuite de les remettre en place une fois le foyer installé.
- Une fois en place, faire un premier essai de fonctionnement et commencer alors l'encastrement de celui-ci. Il est recommandé de le faire du bas vers le haut.

## COMBUSTIBLE

- Utilisez comme combustible du bois sec, en veillant à ce qu'il ne dépasse pas 20% le degré d'humidité. Sachez, qu'un bois ayant 50% ou 60% d'humidité ne chauffe pas, il a une très mauvaise combustion, il crée beaucoup de goudron, il dégage une vapeur d'eau excessive et il produit des sédiments excessifs dans l'appareil, la vitre et les conduits de fumée. Vous pouvez également utiliser des briquettes de bois pressé.
- Allumez le feu avec des pastilles prévues à cet effet, ou avec l'aide de papier et brindilles. N'utilisez jamais d'alcool à brûler ou de produits similaires.
- Ne brûlez pas de déchets ménagers, matières plastiques ou de produits gras qui polluent l'environnement et provoquent des risques de feu de cheminée par encrassement du conduit.

## FONCTIONNEMENT

- **Lors des premiers allumages, il est normal que de la fumée se dégage. Cela est dû à ce que certains composants de la peinture anti-calorifique brûlent en même temps que s'adhère le pigment à l'appareil. Nous conseillons d'aérer abondamment la pièce jusqu'à ce que cela disparaisse.**
- Le foyer n'est pas prévu pour fonctionner avec la porte ouverte.
- Cet appareil est prévu pour fonctionner de manière discontinue avec des temps de recharge de combustible.
- Pour l'allumage du foyer il est recommandé d'utiliser du papier, des pastilles d'allumage et des brindilles. Une fois que le feu commence à fonctionner, ajoutez pour la première charge deux morceaux de bois de 1 à 1'3 Kg. Pendant cette phase d'allumage, les tirages d'air doivent être complètement ouverts.
- Pour atteindre la puissance nominale de l'appareil vous devez utiliser une quantité approximative de 1.7 Kg. de bois (deux bûches d'environ 1 Kg.) en intervalles d'une heure. Vous ne devez pas recharger de combustible votre appareil avant que la charge antérieure ne se soit consommée et qu'il ne reste seulement le lit de braises nécessaire à la reprise de la combustion.
- Il est normal que le joint en fibre de verre se désintègre. Bien que le foyer puisse fonctionner sans le joint, nous vous recommandons de le changer chaque saison.
- Le tiroir sert à retirer les cendres. Videz le régulièrement sans attendre qu'il se remplisse trop afin d'éviter que se détériore la grille.
- Sachez que jusqu'à 24 heures après, les cendres peuvent être encore chaudes.
- N'ouvrez pas la porte du foyer brusquement afin d'éviter que la fumée ne sorte. N'ouvrez jamais la porte sans avoir ouvert avant le registre. Ouvrez la porte seulement quand vous devez charger le foyer avec le combustible adéquat.

**-Au moment de charger le bois ou lorsque les cendres sont retirées, il se peut que des cendres tombent sur le cadre. Pour éviter que ces cendres ne soient absorbées par le ventilateur et quelles ne soient expulsées par la partie supérieure, mettre le ventilateur sur la position 0 ou 1 avant d'ouvrir la porte. Une fois que la porte fermée, mettre sur la position désirée.**

- La vitre, les pièces ajoutées et l'appareil en general peuvent atteindre des températures tres élevées, attention aux risques de brûlures lors de l'utilisation. Pour manipuler ces pièces, utilisez le gant fourni avec le foyer.
- Tenez éloignés les jeunes enfants pour éviter des brûlures lors de l'utilisation.
- Si le démarrage du foyer cause certains problèmes (Inter-saison, cheminée froide...). Vous pouvez allumer un feu d'appel avec du papier froissé ce qui aidera à mettre en marche le foyer.
- Dans le cas de surchauffe, fermez le tirage d'air pour réduire l'intensité du feu.
- Dans le cas de mauvais fonctionnement, fermez le tirage d'air et consultez le fabricant.

## ENTRETIEN

- Un nettoyage quotidien de la vitre permet d'éviter le dépôt de suie sur le verre. Utilisez pour cela un nettoyant spécial vendu dans le commerce. N'utilisez jamais d'eau. Ne tentez jamais de nettoyer votre appareil en fonctionnement.
- Il est aussi très important de nettoyer régulièrement les conduits de fumée de l'appareil et vous devrez vous assurer l'absence de blocage avant de remettre en marche l'appareil après une période prolongée de non allumage.
- Chaque début de saison, il est important qu'un professionnel réalise l'entretien de votre installation.
- Dans le cas d'un incendie de cheminée, si vous le pouvez, fermez les tirages d'air et contactez immédiatement les autorités.
- Toute pièce de rechange doit être recommandée par le fabricant.
- La fibre de verre qui est utilisée pour les joints peut se dégrader avec le temps. Dans le cas où cela se produirait, il faudrait alors procéder à son remplacement.

## GARANTIE

Ce foyer est un produit de qualité qui a été fabriqué avec le plus grand soin. Si malgré tout, vous constatiez une anomalie, commencez par demander conseil au revendeur. Si ce dernier n'est pas en mesure de vous solutionner le problème, il nous contactera et, si la situation l'exige nous enverra l'appareil. Le délai de garantie étant de cinq ans à compter de la date d'achat, nous nous engageons à remplacer gratuitement les pièces défectueuses pendant ce délai. Néanmoins les frais de transport sont à la charge du client.

Étant donné que ce dispositif a été testé par un laboratoire agréé, ne sont pas couverts par la garantie les pièces suivantes:

- Vitre
- La grille en fonte
- Vermiculite
- Poignées (de la porte et tirage)

**A l'intérieur de l'emballage se trouve une fiche de contrôle de qualité, nous vous prions de la remettre au revendeur en cas de réclamation.**

Ce ventilateur a été testé par un laboratoire homologué, nous avons ensuite réalisé un contrôle de qualité de chaque appareil fabriqué.

Nous vérifions dans nos installations que l'ensemble électrique fonctionne correctement avant d'envoyer la marchandise, la garantie ne couvre donc pas l'ensemble électrique (ventilateur et câbles).

## CARACTÉRISTIQUES DES VENTILATEURS.

Ce modèle est équipé d'un ventilateur tangential qui a pour débit 170 m<sup>3</sup>/h, il puise l'air de la partie inférieure pour qu'il circule dans tout l'appareil et répartit l'air chaud depuis la partie supérieure.

Le ventilateur est équipé d'un thermostat qui régule sa température afin qu'il ne surchauffe pas, il se met donc en marche automatiquement à partir de 50°C.


Le poêle à bois dispose d'un interrupteur munit de trois positions pour réguler le débit d'air chaud qui sort de l'appareil.

- En position 0, le ventilateur est éteint mais si la température atteint les 50°C, le thermostat permet au ventilateur de se mettre en marche, sur la position I.
- En position I, le ventilateur atteint 60% de la vitesse maximale.
- En position II, le ventilateur atteint la vitesse maximale.

**IMPORTANT: Le ventilateur devra être TOUJOURS connecté au réseau électrique, afin d'éviter qu'il ne surchauffe et se détériore.**

## MESURES ET CARACTERISTIQUES

- Hauteur.....	629 mm	- Puissance nominale.....	7 kW
- Largeur.....	770 mm	- Rendement.....	80.8 %
- Profondeur.....	548 mm	- Emission de CO.....	0.09 %
- Poids.....	96 Kg	- Tirage minimum de la cheminée pour puissance nominale.....	12.2 Pa
- Porte entrée bois.....	600 x 300 mm	- Débit massique des fumées.....	5.81 g/s
- Sortie fumée.....	150 mm	- Température des fumées.....	264 °C
- Corps en acier de 3 +1.5 mm.		- Volume de chauffe (aprox.).....	250 m <sup>3</sup>
- Grille en fonte			
- Peinture résistante à 800 °C			
- Vitre vitrocéramique 750 °C			
- Bûches jusqu'à 60 cm			

 EN 13229: 2001 & A2: 2004	<b>PANADERO</b> P.I. CAMPOLLANO AVENIDA 5º, 13-15 02007 ALBACETE - SPAIN
	INSERT "C-820-S".....17 POËLE INDEPENDANT A COMBUSTIBLE SOLIDE CERTIFICATE N° TD 4637; TD 4637P DECLARATION DES PERFORMANCES.....19085 L ORGANISME NOTIFIE.....1677
Puissance calorifique..... 7 kW Rendement énergétique..... 80 % Emission de CO par les produits de combustion ..... 0.14 % Temperatures des produits de combustion ....:261°C Concentration de poussières a 13% O <sub>2</sub> .....29.7 mg/Nm <sup>3</sup> Type de combustible ..... Bois et briquettes	

## INSTRUCCIONES DE UTILIZACIÓN Y DE MANTENIMIENTO

Acaba de adquirir un producto de la marca PANADERO, además de un mantenimiento correcto, nuestras estufas requieren una instalación conforme a la legislación en vigor. Nuestros productos son conformes a la norma europea EN 13229 pero es muy importante para el consumidor que sepa utilizar correctamente su hogar según las recomendaciones que indicamos. **Por esta razón antes de instalar nuestro producto deberá leer rigurosamente este manual y seguir nuestras instrucciones de utilización y de mantenimiento.**

En el hogar, la forma de transmitir el calor es doble, por un lado a través de la gran superficie de cristal vitrocerámico se aprovecha el calor de radiación y por otro lado está el calor generado en las paredes del hogar que podremos recuperar haciendo una instalación óptima, dejando espacio alrededor del hogar y creando corrientes de aire que lo rodeen, aprovechando así el calor de convección.

### INSTALACIÓN

- Usted ha comprado una estufa de leña concebida con la cámara de combustión revestida de vermiculita.

**ATENCIÓN:** La instalación de este hogar debe ser efectuada por un profesional cualificado. Todas las reglamentaciones locales, incluidas las que hacen referencia a normas nacionales o europeas, han de cumplirse cuando se instala el hogar.

### Conducto de Humos:

- El hogar no debe instalarse en un sistema de chimenea compartido con otros aparatos.
- Poner un conjunto de tubos bien conectados, sellados con masilla refractaria para evitar que caiga el hollín hasta el exterior, y conectar el primer tubo a la salida de humos del hogar con un mínimo de 40mm de encaje.
- La instalación del conducto de humos debe ser lo más vertical posible, evitando la utilización de codos y desviaciones que podrían causar el mal funcionamiento del hogar.
- En caso de que la instalación se conecte con un conducto de chimenea de albañilería, las medidas interiores de éste no deben ser muy grandes porque se enfriarían mucho los humos y habría revoques. En caso de ser excesiva esta superficie, se recomienda que los tubos lleguen hasta la salida exterior.
- Una instalación que se realice sólo con tubos, deberá tener 3 metros lineales como mínimo.
- Es muy recomendable poner un sombrerete sobre el último tubo.

### Colocación:

- Se debe colocar en un sitio que soporte el gran peso del hogar y todo lo que le rodea debe ser material no combustible y/o estar bien aislado.
- Es necesario tener previsto la accesibilidad para la limpieza del hogar, del conducto de humos y de la chimenea.
- Mientras el hogar esté funcionando, aleje de él cualquier cosa que pueda ser alterada por el calor: muebles, cortinas, papel, ropa, ... Se debería guardar una distancia de seguridad mínima de 80cm.
- Este hogar debe ser instalado en un local bien ventilado. Recomendamos que haya por lo menos una ventana que se pueda abrir en la habitación donde estará instalado el hogar.

## MONTAJE

- **La parte inferior del hogar tiene que tener una entrada directa de aire, bien del interior o del exterior, de un tamaño no inferior a 200 cm<sup>2</sup>**
- Es recomendable la instalación de una rejilla de ventilación en la zona situada entre el techo y la parte superior del hogar, aislando todas las zonas próximas (para mejorar la estanqueidad), con el fin de aprovechar el calor de convección. Para ello dejar un espacio mínimo de 50 mm alrededor del aparato para crear la cámara de convección.
- Antes de instalar el hogar se recomienda sacar todas las piezas móviles del interior para evitar su rotura, y una vez colocado en su lugar definitivo volver a montar el interior de este.
- Una vez colocado, realizar un ensayo de funcionamiento previo y ya comenzar el empujamiento de éste, recomendable desde abajo hacia arriba.
- La albañilería no debe apoyarse encima del hogar, se debe dejar un mínimo de 5mm para evitar que las dilataciones del metal creen fisuras en la pared superior.

## COMBUSTIBLE

- Utilice como combustible leña seca, procurando que no exceda de un 20% el grado de humedad. Tenga en cuenta que una leña con un 50% ó un 60% de humedad no calienta, tiene una combustión muy mala, crea mucho alquitrán, desprende un vapor de agua excesivo y produce sedimentos excesivos en el aparato, cristal y conducto de humos. También puede utilizar briquetas de leña prensada.
- Encienda el fuego con pastillas existentes para tal fin o con la ayuda de papel y leña menuda. No utilice nunca para el encendido alcohol o productos similares.
- No queme basuras domésticas, materias plásticas o productos grasos que contaminen el medioambiente y puedan provocar riesgos de incendios por obstrucción del conducto.

## FUNCIONAMIENTO

- **Durante los primeros encendidos es normal que se produzca humo. Esto se debe a que se queman ciertos componentes de la pintura anticorrosiva al mismo tiempo que se adhiere el pigmento al hogar. Por ello se recomienda ventilar abundantemente la habitación hasta que esto desaparezca.**
- El hogar no está hecho para funcionar con la puerta abierta.
- El aparato está pensado para trabajar de forma intermitente con intervalos de recarga de combustible.
- Para el proceso de encendido de la estufa se recomienda utilizar papel, pastillas de encendido y pequeños palitos de leña. Una vez que el fuego comience a funcionar, agregar en la primera carga dos palos de 1 a 1'3 Kg. de peso. En este proceso de encendido los tiros de aire del hogar han de estar totalmente abiertos.
- Para conseguir la potencia nominal de este hogar, ha de colocar una cantidad de leña aproximada de 1.7 Kg. de peso (dos troncos de 1 Kg, aproximadamente.) en intervalos de 1 hora. No se debe recargar el aparato hasta que no se haya consumido la carga anterior y sólo quede la reserva de brasas.
- Es normal que con el uso la junta de fibra de vidrio del cristal se deshaga. Aunque el hogar pueda funcionar sin esta junta, se recomienda que cada temporada se reponga.
- El cajón inferior sirve para retirar las cenizas. Vaciarlo a menudo sin esperar que se llene demasiado para evitar que se estropee la parrilla, tenga cuidado con la ceniza ya que hasta 24 horas después puede seguir estando caliente.

- **Durante la carga de leña o retirada de cenizas, algo de ceniza puede caer sobre el marco, para evitar que esas cenizas las absorba el ventilador y las expulse por la parte de arriba, ponga el ventilador en posición 0 ó 1 antes de abrir la puerta. Una vez cerrada la puerta puede poner la posición que desee.**
- No abra la puerta del hogar de forma brusca con el fin de evitar la salida de humos. Nunca la manipule sin previamente abrir los tiros. Esta operación solo debe llevarse a cabo con el fin de recargar combustible.
- El cristal, los herrajes y el aparato en general pueden alcanzar temperaturas muy elevadas, cuidado con los riesgos de quemaduras. Para manipular dichas piezas, utilice el guante adjunto con la estufa.
- Mantener alejados a los niños para evitar quemaduras durante la utilización.
- Si el arranque plantea problemas (temporada intermedia, chimenea fría, etc.) se puede encender un fuego inicial con papel arrugado, lo que facilita la puesta en marcha del hogar.
- En el caso de sobrecalentamiento, cierre los tiros de aire para reducir la intensidad del fuego.
- En el caso de mal funcionamiento, cierre los tiros de aire y consulte al fabricante.

## MANTENIMIENTO

- Conviene limpiar periódicamente el cristal para evitar que los restos de hollín lo ennegrezcan. En el comercio existen limpiadores especiales para ello. No utilice nunca agua. No intente nunca limpiar su hogar en funcionamiento.
- También es importante limpiar periódicamente los conectores de humos del aparato y deberá comprobar la ausencia de bloqueo antes de volver a encender el aparato después de un periodo prolongado de parada.
- Cada principio de temporada es importante que un profesional realice un mantenimiento de su instalación.
- En caso de incendio en la chimenea cierre los tiros de aire y contacte inmediatamente con las autoridades.
- Cualquier pieza de repuesto que necesite tiene que ser recomendada por nosotros.
- La fibra de vidrio que se utiliza en las juntas puede sufrir degradación con el tiempo. Si éste fuera su caso, en el momento que se produzca, deberá reemplazarlo por una nueva fibra de vidrio.

## GARANTÍA

Este hogar es un producto de alta calidad, fabricada con gran esmero. Si, a pesar de ello, se produjera algún desperfecto, consulte primero con su distribuidor. Si él no puede solucionar el problema, se pondrá en contacto con nosotros y, si es necesario nos enviará el hogar. Nuestra empresa sustituye gratuitamente cualquier pieza defectuosa durante cinco años a partir de la fecha de compra. Los gastos de transporte, sin embargo, correrán por cuenta del cliente.

Puesto que este aparato ha sido testado por un laboratorio homologado NO están cubiertas por la garantía las siguientes piezas:

- Cristal
- Parrilla de fundición
- Vermiculita
- Herrajes

**En el interior del embalaje, encontrará una ficha de control de calidad, rogamos la remiten al distribuidor en caso de reclamación.**



Puesto que este aparato ha sido testado por un laboratorio homologado y realizamos un control de calidad del 100% de los aparatos fabricados, probando en nuestras instalaciones que el conjunto eléctrico funciona correctamente antes de ser enviado, la garantía no cubre dicho conjunto eléctrico (ventilador y cableado).

## CARACTERISTICAS DEL VENTILADOR

Este modelo está equipado con un ventilador tangencial de caudal 170 m<sup>3</sup>/h que toma el aire frío de la parte inferior, este aire rodea el aparato y se calienta, y expulsa el aire caliente por las lamas de la parte superior.

El ventilador consta de termostato para regular su temperatura, de modo que no se sobrecaliente. Dicho termostato pone en funcionamiento el ventilador automáticamente a partir de 50°C,


La estufa dispone de un interruptor con tres posiciones para regular el caudal de aire caliente que sale de la estufa.

- En la posición 0 el ventilador está apagado, pero si la temperatura alcanza los 50°C, el termostato hace que el ventilador arranque y este en posición I de velocidad
- En la posición I, el ventilador está al 60% de la velocidad máxima.
- En la posición II, el ventilador está en su máxima velocidad.

**IMPORTANTE:** el ventilador deberá estar SIEMPRE conectado a la red eléctrica, para evitar que se averie por sobrecalentamiento.

## MEDIDAS Y CARACTERISTICAS

- Alto..... 629 mm	- Potencia calorífica nominal..... 7 kW
- Ancho..... 770 mm	- Rendimiento..... 80.8 %
- Fondo..... 548 mm	- Emisión de CO..... 0.09 %
- Peso..... 96 Kg	- Tiro en la chimenea para potencia nominal..... 12.2 Pa
- Puerta entrada leña..... 600 x 300 mm	- Caudal masico de los humos..... 5.81 g/s
- Salida humos..... 150 mm	- Temperatura de los humos..... 264 °C
- Cuerpo en acero de 3 +1.5 mm.	- Volumen de calefacción (aprox.) 250 m <sup>3</sup>
- Parrilla de hierro fundido	
- Pintura anticorrosiva resistente a 800 °C	
- Vidrio vitrocerámico 750 °C	
- Troncos hasta 60 cm	

 EN 13229: 2001 & A2: 2004	<b>PANADERO</b> P.I. CAMPOLLANO AVENIDA 5ª, 13-15 02007 ALBACETE -SPAIN
	INSERT "C-820-S" ..... 17 ESTUFA INDEPENDIENTE PARA COMBUSTIBLE SÓLIDO CERTIFICATE N° TD 4637; TD 4637P DECLARACION DE PRESTACIONES.....19085 ORGANISMO NOTIFICADOR.....1677
Potencia nominal..... 7 kW Rendimiento..... 80.8 % Emisión de CO en los productos de combustión.....0.09 % Temperatura de los humos..... 264°C Dust concentration at 13% O2..... 29.7 mg/Nm <sup>3</sup> Tipos de combustible..... Leña y briquetas	

## ONDERHOUDS- EN GEBRUIKSAANWIJZING

U hebt een product gekocht van het merk PANADERO. Naast het juiste onderhoud, vergen onze kachels een installatie conform de geldige wetgeving. Onze producten voldoen aan de Europese norm EN 13229, maar het is erg belangrijk dat de consument de kachel volgens de hierna genoemde aanbevelingen op juiste wijze weet te gebruiken. **Om die reden dient u deze handleiding vóór het installeren van ons product zorgvuldig te lezen en onze onderhouds- en gebruiksaanwijzingen in acht te nemen.**

De haard brengt op twee manieren warmte voort, aan de ene kant warmte door radiatie via het grote oppervlak van het vitrokeramische glas en aan de andere kant warmte door convectie. Van deze convectiewarmte kan geprofiteerd worden door een optimale installatie van de haard waarbij er een ruimte om de haard wordt vrijgelaten zodat er een warme luchtstroom om de haard wordt gecreeerd welke uw ruimte verwarmd.

### INSTALLATIE

- U heeft een houtkachel gekocht met een brandkamer voorzien van vermiculiet.

Verwijder in geen geval deze stukken in vermiculiet uit de kachel.

**Opgelet: De installatie van het toestel dient door een gekwalificeerde vakman te gebeuren.**

Alle lokale regelgevingen, inclusief degene welke AAN nationale en Europese normen refereren, dienen in acht te worden genomen bij de installatie van het toestel.

### POSITIE VAN HET ROOKKANAAL

- Het apparaat is niet geschikt om op een schoorsteensysteem dat met andere apparaten wordt gedeeld aan te sluiten
- Sluit de pijpen goed op elkaar aan tot aan de buitenkant. De pijpen dienen afgedicht te worden met vuurvaste kit om het vallen van roet te voorkomen. Sluit de eerste pijp met minimaal 40 mm overlapping aan op de pijpmond.
- De installatie dient zo verticaal mogelijk te zijn. Vermijd het gebruik van kniestukken en omleidingen.
- Wordt de installatie op een gemetselde schoorsteenpijp aangesloten, dan dient de afmeting van deze pijp niet zeer groot te zijn omdat anders de rook te veel afkoelt en omlaag zakt.
- Wordt de installatie alleen met pijpen uitgevoerd, dan dient deze constructie minimaal 3 strekkende meter lang te zijn.
- Het wordt aangeraden om een hoedje te plaatsen op de laatste pijp.

### HET PLAATSEN VAN DE HAARD

- De haard moet op een plek geplaatst worden welke het grote gewicht van de haard kan dragen. Alles wat de haard omringt dient van niet brandbaar materiaal te zijn en/of ermee te worden geïsoleerd.
- De haard moet toegankelijk zijn voor de reiniging van het toestel zelf, van het rookkanaal en van de schoorsteen.
- Terwijl de haard brandt, dient al het hittegevoelig materiaal ervan en uit de omgeving te worden verwijderd: meubels, gordijnen, papier, kleding, etc. De minimale veiligheidsafstand tussen de haard en brandbare materialen is 60 cm.
- Het toestel dient in een goed geventileerd vertrek te worden geïnstalleerd. Wij raden aan dat er op zijn minst 1 raam aanwezig is dat geopend kan worden.

## MONTAGE

- Het onderste gedeelte van de haard moet een directe luchttoegang hebben, van binnen- of buitenlucht, met een niet kleiner dan 200 cm<sup>2</sup>
- Het is wenselijk om een ventilatierooster te installeren tussen het plafond en het bovenste gedeelte van de haard, de omringende ruimte om de haard te isoleren om de dichtheid te bevorderen, om zodoende gebruik te kunnen maken van de convectiewarmte. Daarvoor moet men een ruimte van minimaal 50 mm om de haard heen vrij te houden om zo de convectieruimte te creëren.
- Voordat u de haard instaleert wordt aangeraden om alle losse delen uit het interieur van de haard te halen om schade aan deze delen te voorkomen. Zodra de haard geïnstalleerd is kunt u deze onderdelen op hun definitieve plek monteren.
- Als de haard geplaatst is wordt aangeraden om eerst een proef te doen waarna de haard definitief geïnstalleerd kan worden, bij voorkeur van beneden naar boven.
- Het stukwerk mag niet vast tegen de haard worden aangebracht. Er moet minimaal een kier van 5 mm gelaten worden zodat scheurtjes in de muur door uitzetting van het metaal worden voorkomen.

## BRANDSTOF

- Gebruik droog brandhout als brandstof en zorg ervoor dat de vochtigheidsgraad ervan niet hoger dan 20% is. Houd er rekening mee dat een stuk brandhout met een vochtigheidsgraad van 50% of 60% niet verwarmt, zeer slecht brandt, veel teer voortbrengt, overdreven veel waterdamp uitstoot en overmatige afzettingen op het apparaat, het glas en het rookkanaal veroorzaakt. Ook kunnen geperste houtbriketten worden gebruikt.
- Steek het vuur aan met aanmaakblokjes of met behulp van papier of dunne takjes. Gebruik voor het aansteken van het vuur nooit alcohol of soortgelijke producten.
- Verbrand geen huisvuil, plastic materiaal of vette producten die het milieu vervuilen en brandgevaar kunnen veroorzaken door verstopping van het rookkanaal.

## WERKING

- **De eerste keren dat u het toestel gebruikt is het normaal dat er rook ontstaat. Dit komt doordat er bepaalde componenten van de hittevaste verf verbranden en tegelijkertijd blijft het pigment aan de kachel plakken. Daarom wordt aanbevolen om de kamer ruimschoots te ventileren totdat de rook verdwijnt.**
- Het toestel dient niet met open deur te werken.
- Het apparaat is ervoor bestemd om niet de hele tijd, met tussentijds bijvullen van brandstof, te functioneren.
- Voor het aansteken van het toestel wordt aanbevolen om papier, aanmaakblokjes en dunne takjes of stukjes brandhout te gebruiken. Zodra het vuur begint te branden, dienen twee houtblokken van 1 à 1'3 Kg. te worden toegevoegd. Bij het aanmaken moeten de trekkleppen van het toestel geheel geopend zijn.
- Om het nominale vermogen van dit toestel te bereiken, dient om het uur ongeveer 1.7 Kg. brandhout (drie stukken van iets meer dan een kilo) in het apparaat te worden gelegd. De houtblokken dient u iets van elkaar gescheiden, horizontaal neer te leggen, zodat ze goed kunnen branden. Het apparaat dient niet bijgevoerd te worden, totdat de vorige lading opgestookt en alleen nog gloeiend houtskool over is.
- Het is normaal dat de glasvezelpakking van het glas na verloop van tijd losraakt. Hoewel het toestel zonder deze pakking ook kan functioneren, wordt aanbevolen om haar elk seizoen te vervangen.

- **Bij het bijvullen van het hout, of het bij het verwijderen van de aslade, kan het voorvallen dat er assen vallen op het kader. Gelieve, vooraleer de deur te openen, de schakelaar op 0 of I te zetten om te vermijden dat deze assen door de ventilator opgenomen worden en doorheen de kachel geblazen worden. Eens de deur gesloten es, kan u de schakelaar en de stand zetten die u wenst.**
- De onderste la is bedoeld voor het verwijderen van de as. Leeg de asla vaak en wacht niet totdat hij te vol zit om te voorkomen dat het rooster kapot gaat. Wees voorzichtig met de as. Deze kan na 24 uur nog steeds warm zijn.
- Om ervoor te waken dat er geen rook vrijkomt, is het beter om de deur van het apparaat niet bruusk open te maken. Open de deur van het toestel nooit zonder eerst de trekklep te hebben geopend. Open de deur alleen om het toestel met de geschikte brandstof bij te vullen.
- Het glas, de messing onderdelen en het apparaat in het algemeen kunnen zeer hoge temperaturen aannemen. Wees voorzichtig. Verbrandingsgevaar! Gebruik de bij het toestel meegeleverde want om die onderdelen te hanteren.
- Houd kinderen van het toestel verwijderd om te voorkomen dat ze zich tijdens het gebruik kunnen verbranden.
- Als bij het opstarten problemen ontstaan (tussenseizoen, koude schoorsteen, etc.), dan kan vuur worden aangestoken met gekreukeld papier. Hiermee wordt de inbedrijfstelling van het toestel vereenvoudigd.
- Sluit bij oververhitting de trekkleppen om de intensiteit van het vuur te reduceren.
- Sluit bij een slechte werking de trekkleppen en raadpleeg de fabrikant.

## ONDERHOUD

- Het is gewenst om het glas regelmatig schoon te maken om te voorkomen dat het zwart wordt van de roetaanzetting. Er zijn speciale reinigingsmiddelen hiervoor in de handel. Gebruik nooit water. Probeer nooit een werkende kachel schoon te maken.
- Ook is het belangrijk om de rookkanalen van het apparaat regelmatig schoon te maken en te controleren of deze niet verstopt zijn, alvorens het apparaat, nadat deze een lange periode niet is gebruikt, opnieuw aan te maken. Aan het begin van elk seizoen is het belangrijk dat een vakman de installatie een onderhoudsbeurt geeft.
- Bij schoorsteenbrand, indien mogelijk, de trekkleppen dichtdoen en onmiddellijk contact opnemen met de autoriteiten.
- Elk reserveonderdeel dat u nodig heeft dient door ons te zijn aanbevolen.
- Het koord voor het glas is onderhevig aan slijtage. Indien dit het geval is, dient u dit te vervangen voor een nieuw koord.

## GARANTIE

Dit toestel is een met zorg vervaardigd product van topkwaliteit. Als er desondanks schade ontstaat, neem dan eerst contact op met uw leverancier. Als hij het probleem niet kan oplossen, zal hij contact met ons opnemen en ons zo nodig het toestel toezenden. Ons bedrijf vervangt de eerste vijf jaar na de aankoopdatum elk defect onderdeel gratis. De verzendkosten zijn echter voor rekening van de klant.

Aangezien dit apparaat is getest door een gecertificeerd laboratorium worden de volgende onderdelen niet gedekt door de garantie:

- Glas
- Gietijzeren rooster
- Vermiculiet
- Handvat, Knoppen, etc

**In de verpakking vindt u een kwaliteitscontroleblad. Wij verzoeken u dit in geval van een klacht naar de leverancier te sturen.**

Aangezien dit apparaat getest is geweest in een gehomologeerd laboratorium en aangezien we onze gefabriceerde apparaten 100% controleren, nakijkend of het elektrisch geheel correct werkt vooraleer het te verzenden, valt de ventilator in kwestie en het elektrisch geheel niet onder garantie.

## EIGENSCHAPPEN VAN DE VENTILATOR

Dit model is uitgerust met een tangentiaalventilator met een debiet van 170 m<sup>3</sup>/h, die koude lucht van onderaan de kachel aanvoert, waarna deze door de kachel geleid wordt, opgewarmd wordt en uiteindelijk door de openingen vanboven de kamer ingeblazen wordt.


Een thermostaat verbonden met de ventilator regelt de temperatuur zodat deze niet oververhit. Bovendien zorgt de thermostaat ervoor dat de ventilator vanaf 50°C automatisch in werking treedt die uit de kachel komt.

- In positie 0 staat de ventilator af, tenzij de temperatuur boven de 50°C komt, waarbij de thermostaat de ventilator automatisch in werking stelt en in positie 1 komt te staan.
- In positie I draait de ventilator op 60% van de maximale snelheid.
- In positie II draait de ventilator op volle snelheid.

Het is uitermate belangrijk dat de ventilator steeds op het elektriciteitsnetwerk aangesloten is, teneinde oververhitting te voorkomen.

## AFMETINGEN EN EIGENSCHAPPEN

- Hoogte.....	629 mm	- Nominaal calorisch vermogen	7 kW
- Breedte.....	770 mm	- Rendement.....	80.8 %
- Diepte.....	548 mm	- CO-emissie.....	0.09 %
- Gewicht.....	96 Kg	- Minimale choorsteentrek voor nominaal vermogen.....	12.2 Pa
- Deurtje houtinvoer.....	600 x 300 mm	- Rookgasdebiet.....	5.81 g/s
- Rookafvoer.....	150 mm	- Rookgastemperatuur.....	264 °C
- Romp in 3 +1.5 mm dik staal		- Verwarmingsvolume (ca.).....	250 m <sup>3</sup>
- Gietijzeren rooster			
- Hittevaste verf, bestand tegen 800 °C			
- Keramisch glas 750 °C			
- Houtblokken tot 60 cm			

 EN 13229: 2001 & A2: 2004	<b>PANADERO</b> P.I. CAMPOLLANO AVENIDA 5ª, 13-15 02007 ALBACETE -SPAIN
	INSERT "C-820-S".....17 ONAFHANKELIJKE KACHEL VOOR VASTE BRANDSTOF CERTIFICATE N° TD 4637; TD 4637P PRESTATIEVERKLARING.....19085 AANGEMELDE INSTANTIE.....1677
Nominaal vermogen..... 7 kW Rendement..... 80.8 % CO-emissie verbrandingsproducten..... 0.09 % Rookgastemperatuur..... 264°C Dust concentration at 13% O2..... 29.7 mg/Nm <sup>3</sup> Brandstofsoorten..... Brandhout en briketten	

## ISTRUZIONI D'USO E MANUTENZIONE

Ha acquistato un prodotto della marca PANADERO; oltre a una corretta manutenzione, le nostre stufe richiedono un'installazione in conformità alla legislazione in vigore. I nostri prodotti sono conformi alla norma europea EN 13229, ma è molto importante che l'utente sappia utilizzare correttamente la sua stufa seguendo le nostre raccomandazioni. **Per questa ragione, prima d'installare il nostro prodotto deve leggere attentamente il presente manuale e seguire le nostre istruzioni d'uso e di manutenzione.**

Nel nostro inserto la forma di trasmettere il calore è doppia, prima attraverso la grande superficie vetro ceramico con calore radiante e l'altro è il calore generato nelle pareti del inserto che possiamo recuperare facendo una installazione ottimale, lasciando spazio intorno alla casa, creando correnti d'aria che lo circondano, sfruttando la convezione del calore

### INSTALLAZIONE

- Avete acquistato una stufa a legna progettata con la camera di combustione rivestita con vermiculite

**ATTENZIONE:** L'installazione di questo inserto deve essere effettuata da un professionista qualificato. Tutti i regolamenti e norme locali, nazionali ed europei devono essere soddisfatti quando si installa l'inserto.

### Condotta di scarico Fumi :

L'inserto non deve essere installato su un sistema di evacuazione fumi in comune con altri dispositivi.

- Mettere un insieme di tubi ben collegati, sigillati con prodotti specifici per evitare la fuoriuscita di fuliggine, collegare il primo tubo con un minimo di 40 mm di diametro.

- L'installazione della tubazione deve essere il più verticale possibile, evitando uso di gomiti e deviazioni i quali possono causare il malfunzionamento dell'inserto.

- Se nel caso l'installazione avviene in una canna fumaria in muratura, la misura interna non dovrebbe essere troppo grande così evitiamo di raffreddare il fumo causando colature.

Se nel caso la canna fumaria in muratura è di misure grandi, si raccomanda che i tubi arrivino fino all'esterno.

- Un impianto realizzato con solo tubi, deve avere almeno 3 metri lineari.

- Si consiglia di mettere un comignolo girevole sull'ultimo tramo di tubo.

### Posizionamento :

- accertarsi che il pavimento possa sopportare il peso dell'apparecchio e provvedere ad un adeguato isolamento nel caso sia costruito in materiale infiammabile;

- E' necessario pianificare una accessibilità per permettere la pulizia dell'inserto e della canna fumaria.

- Davanti al focolare non deve esserci alcun oggetto (mobili, tende, carta abbigliamento) o materiale di costruzione infiammabile e sensibile al calore a meno di 80cm di distanza

- Assicurarsi che nella stanza dove sarà installato vi sia una ventilazione adeguata, a tale proposito consigliamo ci sia almeno una finestra.

### Montaggio:

Il fondo dell'inserto deve avere una presa d'aria diretta, all'interno o al di fuori, di una dimensione non inferiore a 200 cm<sup>2</sup>

- Si consiglia di installare uno sfianto nella zona tra il tetto e la parte superiore dell'inserto, isolare tutte le aree circostanti (per migliorare la tenuta), al fine di utilizzare la convezione di calore. Lasciare una distanza minima di 50 mm intorno all'unità per creare la camera di convezione. - Prima di installare l'inserto si consiglia di rimuovere tutte le parti mobili all'interno per evitare la rottura e una volta collocato nella posizione definitiva riposizionare le parti tolte. Una volta collocato, effettuate un test preliminare prima di sigillare il tutto e consigliato iniziare dal basso verso l'alto.

- La muratura non deve essere appoggiata sull'inserto ma bisogna lasciare un minimo di 5 mm di margine per permettere eventuali espansioni del metallo evitando di creare fessure nella parete superiore della muratura.



## COMBUSTIBILE

- Come combustibile bisogna usare legna secca, facendo in modo che non superi del 20% il livello d'umidità. E' necessario tener presente che della legna con un 50% o un 60% di umidità non riscalda, ha una pessima combustione, produce molto catrame, libera un'eccessiva quantità di vapore acqueo e forma eccessivi sedimenti nella stufa, sul cristallo e nel condotto del fumo. Si possono usare anche delle bricchette di legno pressato.
- Accendere il fuoco con le apposite pastiglie o con l'aiuto di carta e legna fine. Non bisogna mai usare per accendere il fuoco alcol o prodotti simili.
- Non bruciare rifiuti domestici, materie plastiche o prodotti grassi che inquinano l'ambiente e possono provocare rischi d'incendi per ostruzione del condotto.

## FUNZIONAMENTO

- **Le prime volte che si accende è normale che venga prodotto del fumo. Ciò è dovuto al fatto che si bruciano certi componenti della vernice anticalore mentre il pigmento aderisce alla stufa stessa. Per tale ragione è raccomandabile ventilare abbondantemente la stanza finché questo fenomeno sparisce.**
- L'inserto non è stata progettata per funzionare con lo sportello aperto.
- Il dispositivo è pensato per lavorare in maniera intermittente con intervalli di ricarica di combustibile.
- Per quanto riguarda il processo d'accensione dell'inserto si raccomanda di usare carta, pastiglie combustibili e piccoli legnetti. Una volta che il fuoco inizia a prendere, aggiungere nel primo carico due bastoni da 1,5 a 2 Kg. di peso. In questo processo d'accensione il tiraggio d'aria dell'inserto deve essere completamente aperto. Se fosse necessario è possibile anche aiutarsi all'inizio mediante l'apertura del cassetto della cenere.
- Una volta che il fuoco è diventato intenso, chiudere completamente il cassetto della cenere (se è stato aperto in precedenza) e regolare l'intensità del fuoco chiudendo in maggiore o minore misura il tiraggio dell'aria.
- Per ottenere la potenza nominale di questo inserto bisogna collocare una quantità di legna di circa 1.7 Kg. di peso a intervalli di 45 min. I tronchi vanno collocati in senso orizzontale leggermente separati tra loro, in modo da garantire una corretta combustione. Non si deve ricaricare il dispositivo finché non è stata consumata la legna precedente e sia rimasta solo la riserva di braci.
- Per ottenere una combustione lenta bisogna regolare l'intensità del fuoco con il tiraggio dell'aria. Quest'ultimo deve essere sempre libero da intoppi per permettere l'entrata dell'aria per la combustione.
- E' normale che, con l'uso, si sgretoli la guarnizione di fibra di vetro del cristallo. Benché l'inserto possa funzionare senza questa guarnizione, si raccomanda di sostituirla ogni stagione.
- Il cassetto inferiore serve a togliere la cenere. Svuotarlo con frequenza, senza attendere che si riempia troppo onde evitare che si rovini la griglia; prestare attenzione alla cenere che può essere ancora calda fino a 24 ore dopo che è stato spento il fuoco.
- Non aprire lo sportello del dispositivo in maniera brusca in modo da evitare la fuoriuscita di fumo. Non aprire mai lo sportello della stufa senza aver prima aperto il tiraggio. Aprire lo sportello solo allo scopo di ricaricare il combustibile adeguato.
- Il cristallo, i pezzi d'ottone e il dispositivo in genere possono raggiungere temperature molto elevate, fare quindi attenzione a non bruciarsi. Per maneggiare queste parti, usare il guanto

Durante il carico di legna o rimozione di cenere , la cenere può cadere sul telaio , per impedire che la cenere venga assorbita dalla ventola ed espulsa attraverso la parte superiore , bisogna mettere la ventola in posizione 0 o I prima di aprire la porta . A porta chiusa è possibile impostare la posizione desiderata

- Non aprire lo sportello del dispositivo in maniera brusca in modo da evitare la fuoriuscita di fumo. Non aprire mai lo sportello della stufa senza aver prima aperto il tiraggio. Aprire lo sportello solo allo scopo di ricaricare il combustibile adeguato.
- Il cristallo, i pezzi d'ottone e il dispositivo in genere possono raggiungere temperature molto elevate, fare quindi attenzione a non bruciarsi. Per maneggiare queste parti, usare il guanto allegato all' inserto.
- Tenere i bambini lontani dell' inserto mentre si usa per evitare che si brucino.
- Se sorgono problemi (stagione intermedia, camino freddo, ecc.) si può accendere un fuoco di richiamo" con della carta appallottolata, che favorisce l'attivazione dell' inserto.
- Nel caso in cui si verifichi del surriscaldamento, chiudere il tiraggio dell'aria per ridurre l'intensità del fuoco.
- Nel caso in cui ci sia un cattivo funzionamento, chiudere il tiraggio dell'aria e rivolgersi al fabbricante.

## MANUTENZIONE

- Conviene pulire periodicamente il cristallo per evitare che i resti di fuliggine lo anneriscano. Esistono in commercio degli strumenti di pulizia appositi. Non usare mai dell'acqua. Non cercare mai di pulire la stufa mentre sta funzionando.
- E' anche importante pulire periodicamente i condotti dei fumi, inoltre, bisogna verificare che non ci siano parti intasate prima di accendere di nuovo la stufa dopo un periodo prolungato d'inattività. All'inizio di ogni stagione è importante che un tecnico professionista esegua una manutenzione dell'impianto.
- In caso d'incendio nel camino, se possibile, chiudere il tiraggio dell'aria e rivolgersi immediatamente alle autorità competenti.
- Qualsiasi pezzo di ricambio che sarà necessario sostituire deve essere raccomandato da noi.
- La treccia di fibra di vetro usata per le giunte si può deteriorare con il tempo. Se fosse il caso, si deve cambiare per un nastro nuovo.

## GARANZIA

Questo inserto è un prodotto di elevata qualità, fabbricata con grande perizia. Nel caso in cui, ciò nonostante, si dovesse verificare qualche difetto, deve rivolgersi prima al proprio distributore. Se quest'ultimo non è in grado di risolvere il problema, dovrà mettersi in contatto con noi e, se necessario ci manderà la stufa. La nostra ditta sostituisce gratuitamente qualsiasi pezzo difettoso per cinque anni dalla data d'acquisto. Le spese di trasporto, tuttavia, verranno sostenute dal cliente.

Dato che questo dispositivo è stato testato da un laboratorio certificato non sono sotto garanzia le seguenti pezzi:

- Vetro
- Griglia
- Vermiculite
- Maniglie e cerniere

All'interno dell'imballaggio, si trova una scheda di controllo qualità, la preghiamo di farla pervenire al distributore in caso di reclamo.

La copertura della garanzia non copre il ventilatore e il cablaggio visto che tutti gli apparecchi sono stati testati prima dell'imballaggio da un laboratorio omologato, effettuando il controllo di qualità

Focolare dotato di 1 ventilatore tangenziale caudale 170 m<sup>3</sup>/h, che prende l'aria fredda dalla parte inferiore, circonda tutto l'apparechio e espelle l'aria calda per la parte superiore.

El ventilatore comprende un termostato per regolare la temperatura in modo che non si surriscaldi. Questo termostato aziona il ventilatore automaticamente da 50°C.

La stufa ha un interruttore a tre posizioni per controllare il flusso di aria calda che esce dalla stufa.

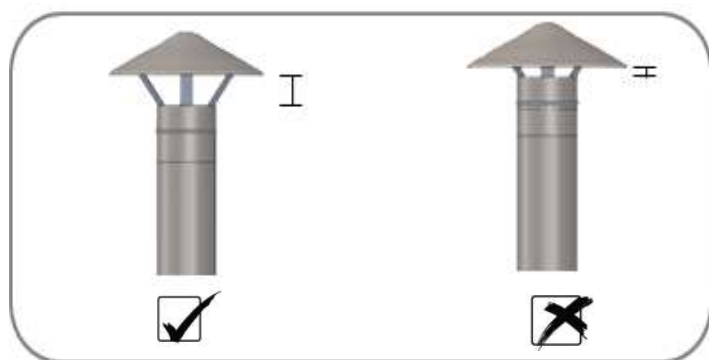
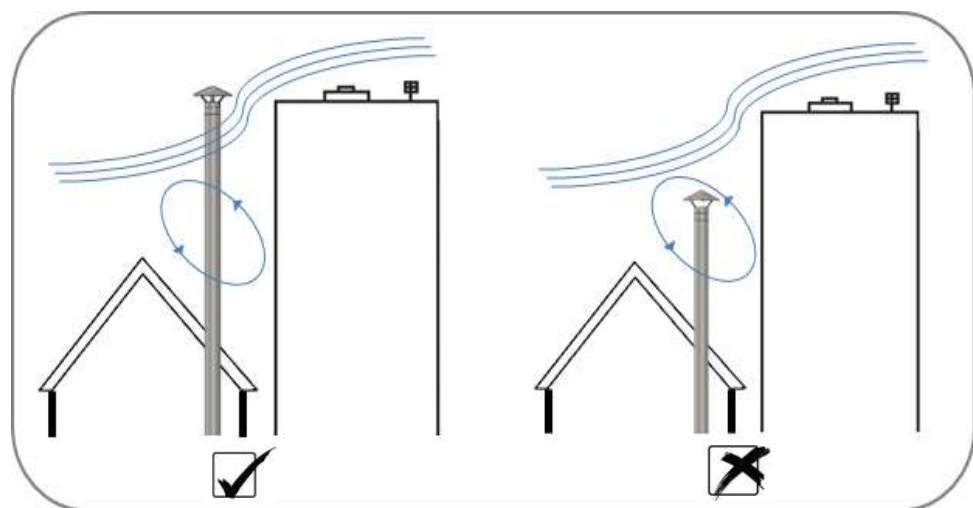
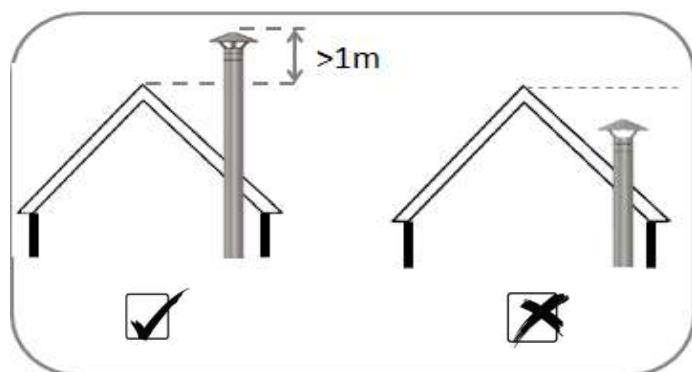
- In posizione 0 la ventola è spenta, ma se la temperatura raggiunge i 50°C, il termostato avvia il ventilatore e questo si troverà in posizione I di velocità.
- In posizione I, la ventola è al 40% della velocità massima.
- Nella posizione II, il ventilatore è a piena velocità.

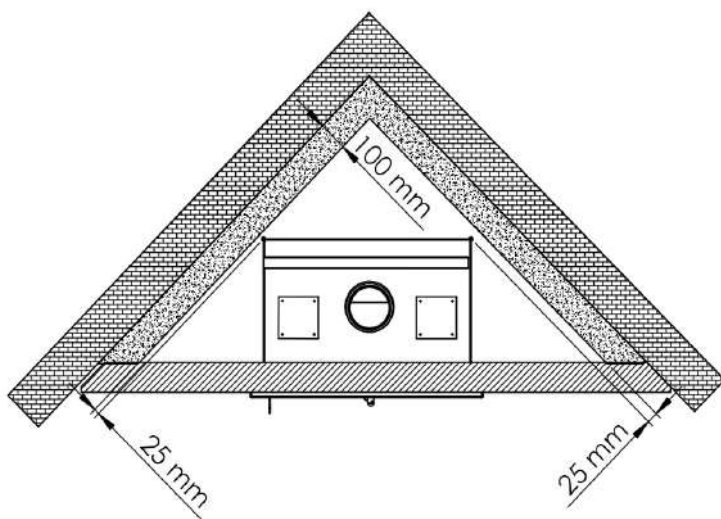
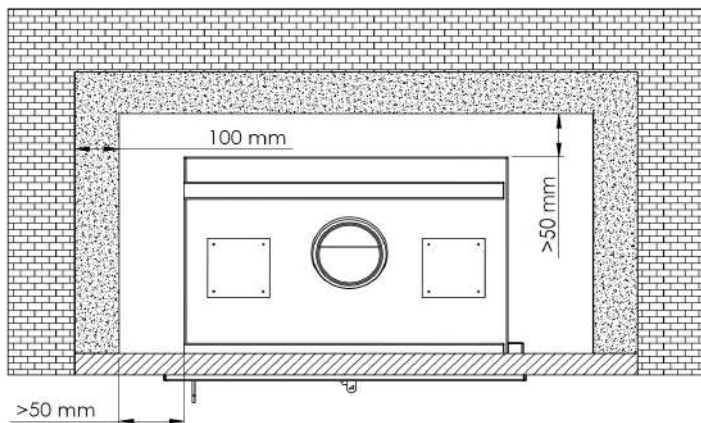
**ATTENZIONE:** il ventilatore deve essere SEMPRE collegato alla rete, per evitare danni da surriscaldamento.

## MISURE E CARATTERISTICHE

- Altezza.....	629 mm	- Potenza termica nominale.....	7 kW
- Larghezza.....	770 mm	- Rendimento.....	80.8 %
- Profondità.....	548 mm	- Emissione di CO al 13% di O <sub>2</sub> .....	0.09 %
- Peso.....	96 Kg	- Tiraggio nel camino per potenza nominale.....	12.2 Pa
- Portello inserimento legna.....	600 x 300 mm	- Portata massica del fumo.....	5.81 g/s
- Diametro scarico fumi.....	150 mm	- Temperatura del fumo.....	264 °C
- Griglia di ghisa		- Distanza minima da materiali infiammabili.....	60 cm
- Vernice anticalore resistente a 800 °C		- Volume di riscaldamento (circa.)	250 m <sup>3</sup>
- Cristallo in vetroceramica 750 °C			
- Lunghezza massima tronchi: 60 cm			

 EN 13240: 2001 & A2: 2004	HIJO DE MIGUEL <b>PANADERO</b> P.I. CAMPOLLANO AVENIDA 5ª, 13-15 02007 ALBACETE - SPAIN
	INSERTO "C-820-S" ..... 17 INSERTO PER COMBUSTIBILE SOLIDO CERTIFICATE N° TD 4637; TD 4637P DICHIARAZIONE DI PRESTAZIONE..... 19085 ORGANISMO NOTIFICATO ..... 1677
Potenza termica nominale.....	7 kW
Rendimento.....	80.1 %
Emissione di CO al 13% di O <sub>2</sub> .....	0.09 %
Temperatura del fumo.....	264 °C
Dust concentration at 13% O <sub>2</sub> .....	29.7 mg/Nm <sup>3</sup>
Tipi di combustibile.....	Legna e bricchette





INSULATING MATERIAL  
RESISTANT TO HIGH T<sup>a</sup>  
(ROCKWOOL)

CECI EST UN ISOLANT RESISTANT  
A HAUTE T<sup>a</sup> (LAINE DE ROCHE)

MATERIAL AISLANTE RESISTENTE  
A ALTAS T<sup>a</sup> (LANA DE ROCA)

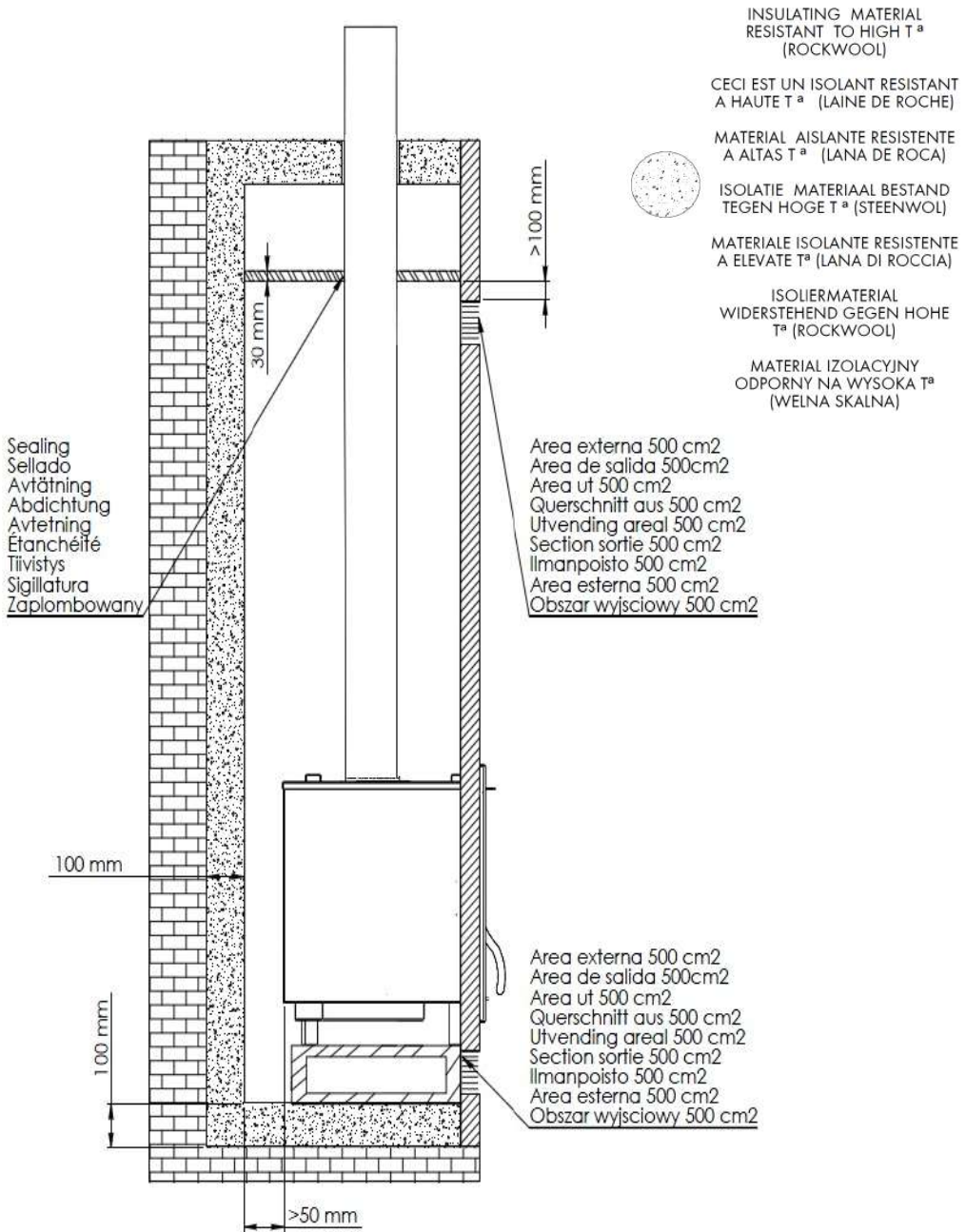
ISOLATIE MATERIAAL BESTAND  
TEGEN HOGE T<sup>a</sup> (STEENWOL)

MATERIALE ISOLANTE RESISTENTE  
A ELEVATE T<sup>a</sup> (LANA DI ROCCIA)

ISOLIERMATERIAL  
WIDERSTEHEND GEGEN HOHE  
T<sup>a</sup> (ROCKWOOL)

MATERIAL IZOLACYJNY  
ODPORNY NA WYSOKA T<sup>a</sup>  
(WELNA SKALNA)





Sealing  
 Sellado  
 Avtätning  
 Abdichtung  
 Avtätning  
 Etanchéité  
 Tiivistys  
 Sigillatura  
 Zaplombowany

INSULATING MATERIAL  
 RESISTANT TO HIGH T<sup>a</sup>  
 (ROCKWOOL)  
 CECI EST UN ISOLANT RESISTANT  
 A HAUTE T<sup>a</sup> (LAINE DE ROCHE)  
 MATERIAL AISLANTE RESISTENTE  
 A ALTAS T<sup>a</sup> (LANA DE ROCA)  
 ISOLATIE MATERIAAL BESTAND  
 TEGEN HOGE T<sup>a</sup> (STEENWOL)  
 MATERIALE ISOLANTE RESISTENTE  
 A ELEVATE T<sup>a</sup> (LANA DI ROCCIA)  
 ISOLIERMATERIAL  
 WIDERSTEHEND GEGEN HOHE  
 T<sup>a</sup> (ROCKWOOL)  
 MATERIAL IZOLACYJNY  
 ODPORNY NA WYSOKA T<sup>a</sup>  
 (WELNA SKALNA)

Area externa 500 cm<sup>2</sup>  
 Area de salida 500cm<sup>2</sup>  
 Area ut 500 cm<sup>2</sup>  
 Querschnitt aus 500 cm<sup>2</sup>  
 Utvending areal 500 cm<sup>2</sup>  
 Section sortie 500 cm<sup>2</sup>  
 Ilmanpoisto 500 cm<sup>2</sup>  
 Area esterna 500 cm<sup>2</sup>  
 Obszar wyjsciowy 500 cm<sup>2</sup>

Area externa 500 cm<sup>2</sup>  
 Area de salida 500cm<sup>2</sup>  
 Area ut 500 cm<sup>2</sup>  
 Querschnitt aus 500 cm<sup>2</sup>  
 Utvending areal 500 cm<sup>2</sup>  
 Section sortie 500 cm<sup>2</sup>  
 Ilmanpoisto 500 cm<sup>2</sup>  
 Area esterna 500 cm<sup>2</sup>  
 Obszar wyjsciowy 500 cm<sup>2</sup>

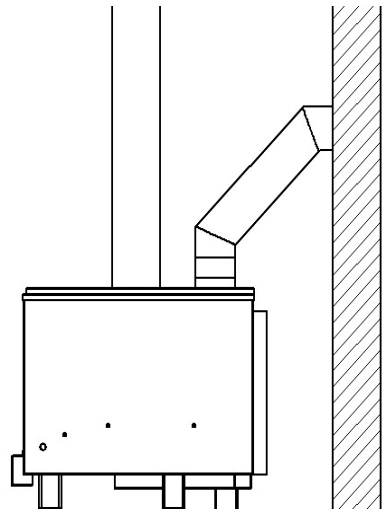
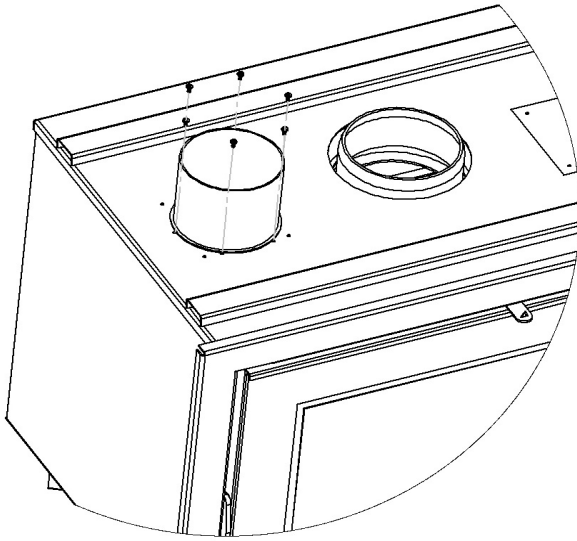
100 mm

100 mm

>50 mm

>100 mm

30 mm



Every insert goes with 2 connectors, included inside, which are used to connect tubes to the appliance, by which hot air can be transferred to another room. The connectors are installed by removing the 2 lids on the upper surface of the insert (held into place by 4 screws) and fixing them in the same as the lids. (This time with 6 screws.)

A l'intérieur de chaque appareil se trouvent deux raccords qui servent à connecter le insert à des tuyaux, et envoyer ainsi de l'air chaud dans une autre pièce. Pour installer ces deux raccords, il faut retirer les deux caches apparents qui se trouvent sur la partie supérieure du insert (fixé par quatre vis) et installer ensuite les deux raccords avec six vis.

Dentro de cada aparato se incluyen dos conectores para conectar el cassette mediante tubos, y así enviar aire caliente a otra habitación. Estos conectores se instalan quitando las dos tapas que se pueden ver en la parte superior del cassette (unidas por 4 tornillos), y colocar ahí los dos conectores mediante 6 tornillos.

In elk toestel bevinden zich 2 verbindingstukken om buizen op de kachel aan te sluiten en op deze manier warme lucht naar een ander vertrek te leiden. Deze connectoren kunnen worden geïnstalleerd door de 2 deksels bovenaan de kachel (bevestigd met telkens 4 schroeven), te verwijderen en op dezelfde plaats de verbindingstukken te bevestigen met 6 schroeven.

Dentro di ogni apparecchio si includono due connettori che connettano l'insert a due tubi flessibili, e così poter inviare dell'aria calda a due stanze. Questi connettori si installano togliendo i due coperchi che si trovano nella parte superiore dell'inserto, until con 4 vite, collocate lì i due connettori.



## ZEICHENGENEHMIGUNG MARKS APPROVAL

Hylec-APL Ltd.  
6 Stanton Close  
Finedon Road Industrial Estate  
WELLINGBROUGH  
NN8 4HN  
UNITED KINGDOM

ist berechtigt, für ihr Produkt /  
is authorized to use for their product

**Verbindungsmaterial, Klemme mit Schraubklemmstelle**  
**Connecting device, terminal with screw-type clamping unit**

die hier abgebildeten markenrechtlich geschützten Zeichen  
für die ab Blatt 2 aufgeführten Typen zu benutzen /  
the legally protected Marks as shown below for the types referred to on page 2 ff.



Geprüft und zertifiziert nach /  
Tested and certified according to

DIN EN 60998-1 (VDE 0613 Teil 1):2005-03; EN 60998-1:2004  
DIN EN 60998-2-1 (VDE 0613 Teil 2-1):2005-03; EN 60998-2-1:2004

VDE Prüf- und Zertifizierungsinstitut GmbH  
VDE Testing and Certification Institute  
Zertifizierungsstelle / Certification

VDE Zertifikate sind nur gültig bei Veröffentlichung unter:  
VDE certificates are valid only when published on:

# VDE

Aktenzeichen: 5015701-1441-0001 / 192685

File ref.:

Ausweis-Nr. 40039146

Blatt 1

Certificate No.

Page

Weitere Bedingungen siehe Rückseite und Folgeblätter /  
further conditions see overleaf and following pages

Offenbach, 2014-01-02

(letzte Änderung / updated 2014-01-06)

<http://www.vde.com/zertifikat>  
<http://www.vde.com/certificate>



## ESPECIFICATIONS T24B048BXR2-13

CONTACT TYPE : NORMALLY OPEN

ACTION TEMP :  $48 \pm 5^\circ\text{C}$

RESET TEMP:  $35 \pm 8^\circ\text{C}$

TERMINAL SIZE: AMP # 250 TAB.

CIRCUIT RESISTANCE :  $100\text{M}\Omega$  MIN AT DC 500V.

DIELECTRIC STRENGTH : AC 1000V FOR ONE MINUTE OR 1800V FOR ONE SEC.

ELECTRIC RATING : 16A 250V/15A 125VAC- 10A 250VAC (RESISTIVE LOAD)

APPROVALS : UL, CUL, ENEC17

OPERATING LIFE :

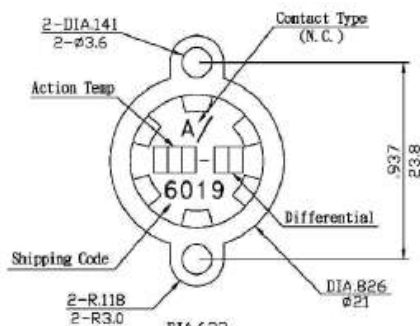
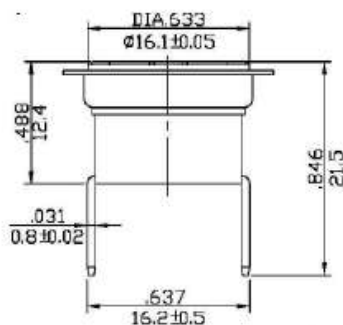
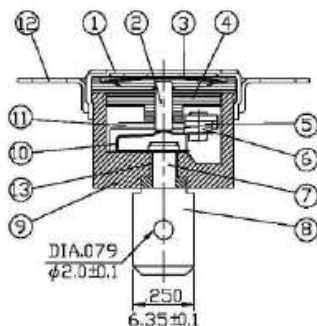
UL / CUL-100,000 CICLES 10A 250VAC/15 125VAC

ENEC17(NEMKO)-100,000 CYCLES 10A 250VAC/15 125VAC

10,000 CUCLES 16A 250VAC,

### DESCRIPTION PARTS & MATERIAL

- 1.- SENSIG CAP : ALUMINUM.
- 2.- ACTUATING PIN : CERAMIC.
- 3.- BITETAL DISC : BIMETAL.
- 4.- REATINER : PPS : UL 94V-0.
- 5.- CONTACT F : SILVER ALLOY.
- 6.- CONTACT R : SILVER ALLOY.
- 7.- REVIT-S : COOPER.
- 8.- TERMINAL : BRASS TIN PLATED.
- 9.- CASE : PPS
- 10.- MOVABLE ARM ; BERYLLIUM COOPER,
- 11.- STATIONERY ARM ; BRASS.
- 12.- BRACKET ; STELL NICKEL PLATED.
- 13.- TUBE ; BRONZE,



<b>Thermostat : T24B048BXR2-13</b>		<b>CODE: 101214</b>
	DATE: 29/11/2013	Desing:
SCALE: X	DRAWN BY:	UNIT: mm
	<i>Josep MARIÀ G</i>	CHECKED BY:
		<i>JOSEP DACHS</i>

#### Aluminium Housed, Chassis Mount

#### Series PHA

#### Key Features

- External Aluminium Encasing.
- Power Rating 25W, 50W.
- Excellent Stability in Operation.
- Non-Inductive and Close Tolerance Types.
- All Welded Construction for Maximum Reliability.
- Moulded Construction for Excellent Environmental Protection
- Reference Standards
  - BS CECC 40203-001 • MIL-R-18546



#### Electrical Specifications and Environmental Characteristics

Electrical Specifications	PHA25	PHA50
Tolerance	±0.05%, ±0.1%, ±0.25%, ±0.5%, ±1%, ±2%, ±3%, ±5%, ±10%	
TCR	For <10Ω : < ±100ppm/°C ; For >10Ω : < ±50ppm/°C	
Resistance Range	R051 - 20K	R010 - 100K
Dielectric Strength	2500 V	2500 V
Max.Working Voltage	550V	1250V
Surface Temp.Rise Mounted on a Std. Heat Sink in °C / Watt	4	2.9
Std. Heat Sink Area	535	535
Std. Heat Sink Thickness	1	1
Approx. Weight	12.5	29
Dissipation @25°C (With Heat Sink)	25	50
Dissipation @25°C (Without HeatSink)	12.5	20
Stability at Rated Power	±1%	±1%
CECC Style Reference	CA	DA
MIL.- Style	RE70	RE75
Climatic Category	55/200/56	55/200/56

#### Performance Characteristics

Test Methods	Test Conditions	Test Limits
Endurance at Room Temperature	As per BS-CECC (1.5Hrs ON, 0.5Hrs OFF) for 1000Hrs.	ΔR < 1% + 0R05
Short Term Overload	5 x Rated Power or Isolation Voltage (Lesser of the two Voltages)	ΔR < 1% + 0R05
Robustness of Terminations	As per BS-CECC Clause 4.14.2, 20N Tensile Force	ΔR < 0.25% + 0R05
Resistance to Soldering Heat	As per BS-CECC Clause 4.15.2, 260°C, 10 Seconds	ΔR < 0.25% + 0R05
Rapid Change of Temperature	-55°C/200°C, 5 Cycles as per BS-CECC Clause 4.16	ΔR < 0.25% + 0R05
Bump	4000 Bumps at 40g as per BS-CECC Clause 4.17	ΔR < 0.25% + 0R05
Vibration	10Hz to 500Hz, 0.75mm Amplitude or 10g, 6 hrs	ΔR < 0.25% + 0R05
Damp Heat Steady State	90-95% RH, 40°C, 56 Days as per BS-CECC Clause 4.21	ΔR < 1% + 0R05

PID:  
02227000  
CID:  
C.1993.5189

## Certificato di approvazione

### Approval certificate

**IMQ, ente di certificazione accreditato,** *IMQ, accredited certification body, grants to*  
autorizza la ditta

**EVEREL GROUP SPA**  
**VIA CAVOUR 9**  
**37067 VALEGGIO SUL MINCIO VR**

all'uso del marchio

*the licence to use the mark*

**ENEC 03,IMQ**

Il presente certificato è stato rilasciato sotto la presunzione e subordinatamente al fatto che il concessionario detenga tutti i necessari diritti legali relativi ai prodotti presentati per le prove e la certificazione, descritti nell'Allegato al presente certificato; inoltre, esso è soggetto alle condizioni previste nel "Regolamento IMQ - Certificazione prodotto".



per i seguenti prodotti

**Interruttori per apparecchi**  
**( Serie B1 )**

*for the following products*

*Switches for appliances*  
*( Series B1 )*

*This certificate has been issued under the presumption and conditional on the fact that the licensee holds all necessary legal rights with regard to the products presented for testing and certification, and listed in the annex to this certificate; moreover, it is subjected to the conditions foreseen by "IMQ Rules - Product Certification".*

Emesso il | Issued on:

**1994-03-25**

Data di aggiornamento | Updated on

**2011-01-14**

Sostituisce | Replaces

**2009-03-04**



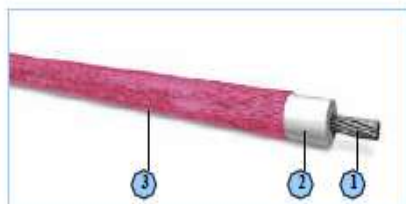
IMQ S.p.A.



CABLES DE SILICONA CON CUBIERTA DE FIBRA DE VIDRIO /  
SINGLE CORE SILICONE RUBBER INSULATED CABLES WITH  
FIBERGLASS BRAID

Referencia:  
SILAM-500FV

### CABLES DE SILICONA UNIPOLARES FLEXIBLES CON FIBRA DE VIDRIO SILAM-500FV



#### Empaquetado / Packing

Madeja / Coil    Bobina / Spool    Bidón / Barrel



Tensión de servicio / Nominal Voltage	500 V.
Tensión ensayo / Test Voltage	2000 V.
Tª de servicio / Operating Temperature	-60° / +180°C. ( Max. 250°C )
Conductor / Copper Conductor	Cobre Pulido o Estañado / Bare or Tinned Copper CEI 228, HD 383 y UNE 21.022 Clase 5/ Class 5
Aislamiento / Insulation	Elastómero de Silicona / Silicon Elastomer "EI2" HD 22.1 S3 y UNE 21.027/1
Normas de referencia / Standards	HD 22.1 S3 y UNE- EN 21.027-1
Cubierta	Trenza de Fibra de Vidrio / Fiberglass Braid

Sección / Cross Section	Composición / Conductor construction	Resistencia Eléctrica / Electric Resistance	Diámetro Exterior Silicona / Silicone Overall diameter	Espesor aislamiento silicona / Silicone Insulation Thickness	Diám. ext. Cable / Cable Overall diameter	Tensión perforación / Breakdown voltage
(mm <sup>2</sup> )	(Nºhilos x Ø)	(Ω/Km)	(mm)	(mm)	(mm)	(Volt.)
0.25	8 x 0.20	< 78	1.7	0.5	2	> 3.000
0.50	16 x 0.20	< 40.1	2,1	0.6	2.4	> 3.000
0.75	24 x 0.20	< 26.7	2,3	0.6	2.6	> 3.000
1	32 x 0.20	< 20.0	2,5	0.6	2.8	> 3.000
1.5	30 x 0.25	< 13.7	2.8	0.6	3.1	> 3.000
2.5	50 x 0.25	< 8.21	3,4	0.7	3.7	> 3.000
4	56 x 0.30	< 5.09	4,2	0.8	4.5	> 5.000
6	84 x 0.30	< 3.39	5.0	0.8	5.3	> 5.000

# Installation and safety instructions for AC/DC built-in devices



**ebmpapst**

The device type and date of manufacture (week/year) can be found on the device rating plate. In the event of any queries about the device, please quote all the details given on the rating plate.

For further information please visit:  
[www.ebmpapst.com](http://www.ebmpapst.com)

**ebm-papst Landshut GmbH**  
Hofmark-Aich-Str. 25  
84030 Landshut, Germany  
Phone +49 871 707-0  
Fax +49 871 707-465  
Info3@de.ebmpapst.com  
[www.ebmpapst.com](http://www.ebmpapst.com)

As at: 24 July 2013  
Version: 1

## CONTENTS

<b>1.</b>	<b>SAFETY REGULATIONS AND NOTES</b>	<b>1</b>
1.1.	Hazard warning levels	1
1.2.	Warranty and liability	1
1.3.	Personnel qualifications	1
1.4.	Basic safety regulations	2
1.5.	Voltage and current	2
1.6.	Safety and protective functions	2
1.7.	Electromagnetic radiation	2
1.8.	Mechanical movement	2
1.9.	Noise emissions	2
1.10.	Hot surface	2
1.11.	Transportation	2
1.12.	Storage	2
1.13.	Disposal	2
<b>2.</b>	<b>INTENDED USE</b>	<b>3</b>
2.1.	Intended use also includes	3
2.2.	Improper use	3
<b>3.</b>	<b>CONNECTION AND START-UP</b>	<b>3</b>
3.1.	Mechanical connection	3
3.2.	Electrical connection	3
3.3.	Plug connection	4
3.3.1.	Preparation of cable for connection	4
3.3.2.	Making supply connections	4
3.4.	Checking connections	4
3.5.	General – switching on device	4
3.6.	General – switching off device	4
<b>4.</b>	<b>MAINTENANCE</b>	<b>5</b>

## 1. SAFETY REGULATIONS AND NOTES

These instructions must always be made available before working on or with the product, prior to installation and start-up, before performing any maintenance and servicing work and prior to any other usage. Keep the instructions in a safe place for later reference and for any subsequent owners.

**Always** study these operating instructions carefully before working on or with the product. Observe the following notes and warnings to avoid all risk of injury, damage and malfunctioning and act accordingly.

The product documentation is to be regarded as part of the device. The device is only to be sold or passed on together with this documentation. This product documentation can and should be duplicated and handed over as a source of information on risks and hazard avoidance.

### 1.1. Hazard warning levels

In this product documentation use is made of the following hazard levels to indicate potentially hazardous situations and important safety regulations:



#### **DANGER**

Indicates an imminent hazardous situation which, if the appropriate action is not taken, will result in serious and even fatal injury. The measures must be strictly observed.

#### **WARNING**

Indicates a potentially hazardous situation which, if the appropriate action is not taken, could result in serious and even fatal injury. Exercise extreme caution while working.

#### **CAUTION**

Indicates a potentially hazardous situation which, if the appropriate action is not taken, could result in slight or minor injury or damage to property.

#### **NOTE**

A potentially harmful situation can occur and, if not avoided, can lead to property damage.

### 1.2. Warranty and liability

Warranty and liability claims in the event of injury and property damage will not be accepted if these can be attributed to one or more of the following causes:

- Improper use of the device
- Inexpert installation, start-up, operation and servicing of the device
- Operation of the device with defective safety equipment or with safety mechanisms and guards not correctly fitted or not in proper working order
- Non-observance of the safety and installation instructions
- Unauthorised structural modifications to the device
- Inexpert repair work
- Force majeure
- Damage arising from continued usage although a fault has occurred
- The conveying of unsuitable media
- Defects in supply lines

### 1.3. Personnel qualifications

The product is only to be transported, unpacked, operated, serviced or put to any other form of use by appropriately qualified, trained and instructed specialist personnel (exclusively by a qualified electrician where applicable).



## 1.4. Basic safety regulations

The safety hazards associated with the device must be carefully re-assessed following installation in the end device. The end product is only to be started up after being fully checked for compliance with all the pertinent legal requirements, directives and safety provisions governing the area of application concerned (e.g. specific national accident prevention regulations and technical rules). Observe the following when working on the device:

- Do not make any modifications, additions or conversions to the system without the approval of ebm-papst Landshut.
- Heed the information given in the operating instructions of the end device manufacturer.

## 1.5. Voltage and current

Check the electrical equipment of the device at regular intervals. Replace loose connections and defective cables immediately.



### DANGER

#### Device electrically charged

Risk of electric shock.

→ Stand on a rubber mat when working on an electrically charged device.



### DANGER

#### Terminals and connections may be live even with the device switched off

Electric shock

→ Wait five minutes following all-pole disconnection of the voltage before touching the device.



### DANGER

#### In the event of a fault, voltage will be applied to the rotor and – if fitted – to the impeller

→ Never touch the rotor and – if fitted – the impeller when installed.



### DANGER

#### If control voltage is being applied or a specified speed value has been stored, the device will start up again automatically, e.g. after mains failure.

Risk of injury

- Keep out of the danger zone of the device.
- When working on the device, switch off the mains power supply and secure against renewed switch-on.
- Wait for the device to stop.

## 1.6. Safety and protective functions



### DANGER

#### Missing guard and non-functioning safety device

Without a guard there is a risk of serious injury on reaching into the device during operation for example.

- Never operate the device without a fixed safety barrier and screen. The safety barrier must be capable of withstanding the kinetic energy of a fan blade.
- The device is a built-in component which does not function independently. The operator is responsible for providing adequate protection.
- Stop the device immediately if a safety device is found to be missing or ineffective.

## 1.7. Electromagnetic radiation

Interference from electromagnetic radiation is possible, e.g. in conjunction with open and closed-loop control devices.

If impermissible radiation levels occur following installation, appropriate shielding measures have to be taken before being placed on the market.



### NOTE

#### Electrical or electromagnetic interference after fitting the device in customer installations.

→ Make sure the entire installation satisfies EMC requirements.

## 1.8. Mechanical movement



### DANGER

#### Rotating device

Risk of injury to any parts of the body coming into contact with the rotor and - if fitted - the impeller.

→ Secure the device to prevent contact. Wait until all parts have come to a standstill before starting work on the installation/machine.

## 1.9. Noise emissions

### WARNING

#### Depending on the installation and operating conditions, the sound pressure level may exceed 70 dB(A).

Risk of noise-induced hearing loss

- Take appropriate technical safety measures.
- Protect operating personnel with appropriate safety equipment, e.g. hearing protection.
- Also observe the regulations of local authorities.

## 1.10. Hot surface



### CAUTION

#### High temperature at the housing

Risk of burns

→ Ensure that sufficient protection against accidental contact is provided.

## 1.11. Transportation



### NOTE

#### Transportation of device

- The device is only to be transported in its original packaging.
- During transportation the packaged devices must be suitably fastened and secured to prevent damage caused for example by slipping of the load.

## 1.12. Storage

- Store the device, partially or fully assembled, in a dry and weatherproof manner in the original packaging in a clean environment.
- Protect the device against ambient influences and dirt until final installation.
- We recommend storing the device for no longer than one year in order to guarantee proper operation and maximum possible service life.
- Ensure compliance with the specified storage temperature.

# Installation and safety instructions for AC/DC built-in devices



ebmpapst

## 1.13. Disposal

Observe all the relevant local requirements and regulations with regard to disposal of the device.

## 2. INTENDED USE

The device is designed exclusively as a built-in device in accordance with the technical specifications. It does not function independently and is not intended to be handed over to end customers.

Any other usage above and beyond this does not conform to the intended purpose and constitutes misuse of the device.

The end manufacturer is responsible for the end product and must ensure that adequate safety precautions are taken. Customer equipment must be suited to the mechanical, thermal and service life demands involved. All intended applications must be checked by the end manufacturer with respect to safety.

### 2.1. Intended use also includes

- The device is only to be used at the permissible ambient temperature.
- The device is only to be operated with all safety devices in position.
- The specifications must be observed.
- The built-in component is not to be started up until it has been installed in the customer's device.

### 2.2. Improper use

In particular the following types of device usage are prohibited and could lead to hazardous situations:

#### General and fans:

- The conveying of a medium containing abrasive particles.
- The conveying of a medium containing substances (halogens, chlorides, fluorides etc.) which are aggressive and/or highly corrosive.
- The conveying of a medium with a high dust content, e.g. construction materials.

#### General:

- Operation of the device in an environment containing explosive gases or dusts, combustible solids or flammable liquids.
- Use of the device as a safety component or for the implementation of safety-related functions.
- Operation in medical equipment with a life-sustaining or life-support function.
- Contact with substances which could damage device components, e.g. cleaning fluids.
- Operation with completely or partially disassembled or manipulated safety devices.
- Exposure to radiation which could damage device components, e.g. intense UV radiation.
- Operation with external vibration.
- Operation of the device in an explosive atmosphere.
- In addition, all possible applications not listed under Intended use.

## 3. CONNECTION AND START-UP

### 3.1. Mechanical connection



#### CAUTION

Risk of cuts and crushing when removing the device from its packaging

- Lift the device out of its packaging carefully, taking care to avoid any impact.
- Wear safety shoes and cut-resistant safety gloves.



#### CAUTION

**Unpacking the device involves lifting a heavy load**

Risk of sustaining physical injury, such as back injuries.

- Two people are required to lift the device out of its packaging if it weighs more than 10 kg.

- Check the device for transportation damage. Damaged devices are not to be installed.
- Install the device in accordance with the application concerned.
- Make use of suitable fasteners for installation.
- Protect flange surfaces, tighten screws diagonally and take care to avoid strain on installation.

### 3.2. Electrical connection



#### DANGER

**Voltage at the device**

Electric shock

- A protective earth is also always to be provided for the housing/metal parts if these are not connected to a protective earth connection (yellow/green wire) at the motor.
- Check the protective earth.



#### DANGER

**Faulty insulation**

Risk of fatal injury from electric shock

- Only use wiring conforming to the insulation specifications with regard to voltage, current, insulation material and load rating etc.
- Take care to route the wiring such that it cannot come into contact with any rotating parts.

#### WARNING

**Voltage, electric shock**

The device is a built-in component with no isolating switch.

Metallic parts may be live.

- The device is only to be used together with the specified cable protection.
- Only connect the device to circuits which can be de-energised with an all-pole disconnection switch.
- When working on the device, the power must be interrupted and the system/machine in which the device is installed must be secured so as to prevent renewed switch-on.

#### WARNING

**Ingress of water into wires or cables**

The ingress of water at the customer end of the cable may damage the device.

- Make sure the end of the cable is connected in a dry environment.



#### NOTE

**Risk of subjecting devices to interference**

- Never route the control lines of the device right alongside the power supply line and ignition cable (if applicable). Maintain the greatest possible clearance.

Recommendation: Clearance > 10 cm (separate cable routing).



# Installation and safety instructions for AC/DC built-in devices



**ebmpapst**

## Prerequisites

- Check that the data on the rating plate correspond to the connection data.
- Before connecting the device, make sure the power supply matches the device voltage.
- Only use cables designed for the current level indicated on the rating plate.

Connect wires to terminals (only applies to devices with terminal connection).

### WARNING

**Terminals and connections may be live even with the device switched off**

Electric shock

→ Wait five minutes following all-pole disconnection of the voltage before touching the device.

### WARNING

**Voltage at cable gland**

Electric shock

→ Never use metal cable glands for plastic terminal boxes.

## Residual current circuit breakers



It is strongly recommended to make exclusive use of universal residual current devices (type B or B+). As is also the case with frequency converters, the use of residual current devices of type A does not provide protection for personnel during operation of the device.

When the device power supply is switched on, charging current pulses from the capacitors in the integrated EMC filter may cause residual current devices to be instantly tripped. We recommend the use of residual current circuit breakers with an activation threshold of 300 mA and delayed tripping (super-resistant, characteristic K).

## Reactive currents



On account of the integrated EMC filter fitted to ensure compliance with the EMC limits (interference emission and immunity), reactive currents can be measured in the mains line even with the motor not running and mains power switched on.

## 3.3. Plug connection

### 3.3.1. Preparation of cable for connection



The cables, including the customer interface, are subject to the specifications for internal wiring.

Ensure conformity with applicable standards and check the type of protection in the end device after installing the ebm-papst device.

### 3.3.2. Making supply connections

#### WARNING

**Voltage**

The device is a built-in component with no isolating switch.

→ Connect the device to a suitable tripping device.

→ Only connect the device to circuits which can be de-energised with an all-pole disconnection switch.

→ When working on the device, the system/machine in which the device is installed must be secured so as to prevent renewed switch-on.

→ Never reach into the opening - risk of injury. The protective earth must be connected.

→ Caution - metallic parts may be live: Interrupt the power supply.

→ Protection for the fan/motor must be provided in the device by way of a fuse, thermal cut-out, overcurrent release or similar.

→ In accordance with DIN EN 60335-1, a fuse with a rating of max. 16 A must be fitted in the supply line to protect the device.

- Check the pin assignment of your connector.
- Plug the built-in connector and mating connector together.
- Make sure the connector is properly engaged.

## 3.4. Checking connections

- Ensure isolation from the supply (all phases). Secure against renewed switch-on.
- Check that the mating connector is properly engaged in the built-in connector.
- Check that the mating connector is properly attached to the connecting cable.

## 3.5. General – switching on device



### WARNING

**Hot housing**

Risk of fire

→ Make sure there are no combustible and flammable substances in the vicinity of the device.

- Before switching on, check the device for any obvious external damage and make sure the safety devices are functioning properly.
- Apply the nominal supply voltage.
- Start the device by altering the input signal.
- Check the air flow paths of the device for foreign matter and remove any foreign matter found.
- Apply 0 VDC to the 0-10 V control input if this is being used.
- Apply 0 % PWM to the PWM control input if this is being used.

## 3.6. General – switching off device

- Device switch-off during operation:
- Switch off the device by way of the control input.
- Do not switch the motor on and off at the mains (e.g. in cyclical operation).
- Device switch-off for maintenance:
- Switch off the device by way of the control input.
- Disconnect the device from the power supply.
- On disconnection, make sure the earth conductor connection is disconnected last.



## 4. MAINTENANCE

- Never perform repair work on the device. Send the device to ebm-papst for repair or replacement.

### WARNING

**Terminals and connections may be live even with the device switched off.**

Electric shock

→ Wait five minutes following all-pole disconnection of the voltage before touching the device.

### WARNING

**If control voltage is being applied or a specified speed value has been stored, the device will start up again automatically, e.g. after mains failure.**

Risk of injury

- Keep out of the danger zone of the device.
- When working on the device, switch off the mains power supply and secure against renewed switch-on.
- Wait for the device to stop.
- After working on the device, remove any tools or other objects used.

### WARNING

**The motor may start up again automatically if the control signal of a device connected to the mains ceases to be applied.**

Risk of injury

- When working on the device, switch off the mains power supply and secure against renewed switch-on.
- Wait for the device to stop.

### WARNING

**Device still electrically charged following switch-off**

Risk of electric shock on contact

- Wait 5 minutes following all-pole disconnection of the voltage before touching the device.

# Manufacturer's Declaration

We declare that,

Manufacturer: **ebm-papst Landshut GmbH**  
Address: Hofmark-Aich-Straße 25; 84030 Landshut  
Country: Germany  
Telephone number: +49 (0)871 707-0  
Fax number: +49 (0)871 707-465

has sole responsibility for the following component in the installation:

Description: **Cross Flow Blower with AC-Motor**

Type Description / Part Number: QLZ06/0030A59-3038Lh-40 aze 55412.70311

And that the following documents apply:

Statutory Provisions: **Equipment and Operations Safety (GPSG)  
Low Voltage Directive 2006/95/EG**

Standard: **DIN EN 60335-1:2010-11**  
Household and similar electrical appliances - Safety

Restrictions: The following clauses of the above standard are partially not fulfilled by the component in the installation:

- Heating, especially in conjunction with abnormal operation (DIN EN 60335-1 chapter 19)
- Protection against access to moving, active or isolating parts, respectively clearance and creepage distance (DIN EN 60335-1 chapter 8, 20.2, 21.1, 21.2, 22.5)
- Resistance to oil, fat and similar substances (DIN EN 60335-1 chapter 22.9)
- Safeguard against excessive gas pressure (DIN EN 60335-1 chapter 22.7)

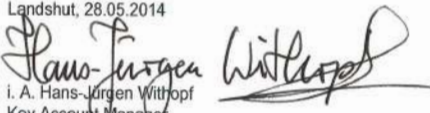
and therefore should be taken into account within the customer's appliance.

The EMC-behaviour must be verified within the customer's appliance.

Further details of the specification are contained in the installation manual (Drawing Z10) and notice must be taken of the protection and insulation classes. (DIN EN 60335-1 chapter 22.6)

Place of issue and date:

Landshut, 28.05.2014

  
i. A. Hans-Jürgen Withopf  
Key Account Manager



HIJO DE MIGUEL  
**PANADERO**

P. I. CAMPOLLANO  
AVENIDA 5ª, 13-15  
02007 ALBACETE - SPAIN  
Telf.: (+34) 967 59 24 00  
Fax: (+34) 967 59 24 10  
panadero@panadero.com